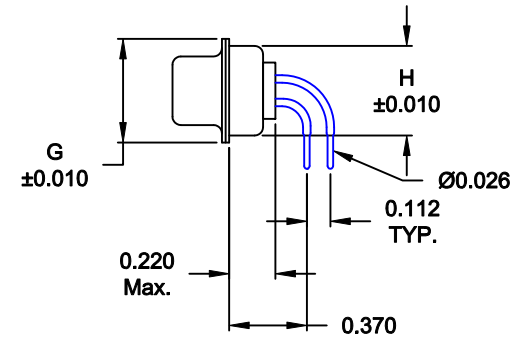
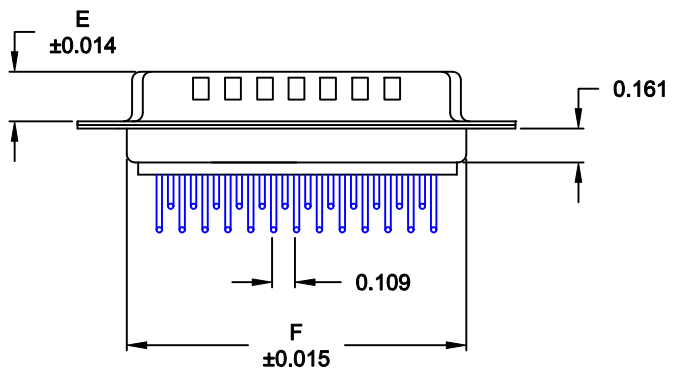
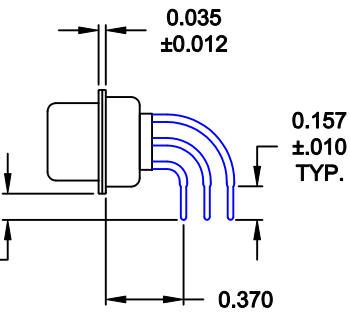
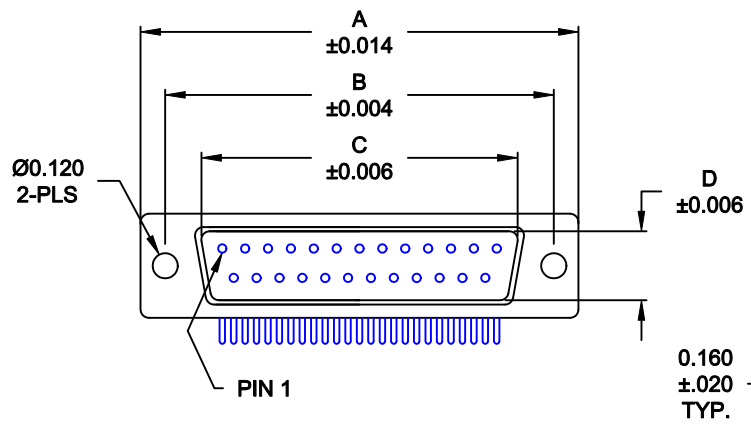


DESCRIPTION: MALE - 0.370 RIGHT ANGLE / MACHINED - ECONOMY



| No. OF PINS | DIMENSIONS | | | | | | | |
|-------------|------------|-------|-------|-------|-------|-------|-------|-------|
| | A | B | C | D | E | F | G | H |
| 9 | 1.213 | 0.984 | 0.666 | 0.329 | 0.236 | 0.756 | 0.496 | 0.427 |
| | 30.80 | 24.99 | 16.92 | 8.36 | 5.99 | 19.20 | 12.60 | 10.85 |
| 15 | 1.541 | 1.312 | 0.994 | 0.329 | 0.236 | 1.091 | 0.496 | 0.427 |
| | 39.15 | 33.32 | 25.25 | 8.36 | 5.99 | 27.70 | 12.60 | 10.85 |
| 25 | 2.087 | 1.852 | 1.534 | 0.329 | 0.236 | 1.618 | 0.496 | 0.427 |
| | 53.00 | 47.04 | 38.96 | 8.36 | 5.99 | 41.10 | 12.60 | 10.85 |
| 37 | 2.728 | 2.500 | 2.182 | 0.329 | 0.236 | 2.256 | 0.496 | 0.427 |
| | 69.30 | 63.50 | 55.42 | 8.36 | 5.99 | 57.30 | 12.60 | 10.85 |
| 50 | 2.638 | 2.406 | 2.079 | 0.436 | 0.240 | 2.169 | 0.602 | 0.527 |
| | 67.00 | 61.11 | 52.80 | 11.07 | 6.10 | 55.10 | 15.30 | 13.39 |

174-EYY-11YRYY1

- SERIES _____
- POSITIONS _____
- E09 _____
- E15 _____
- E25 _____
- E37 _____
- E50 _____
- GENDER _____
- 1 = MALE
- TERMINATION _____
- 1 = PC MOUNTING
- SHELL PLATING _____
- 3 = NICKEL (GROUND INDENTS)
- RoHS COMPLIANT _____
- HARDWARE OPTIONS _____
- 00 = NO HARDWARE
- 14 = SHORT BRACKET WITH 4-40 SCREW LOCK
- 24 = SHORT BRACKET WITH 4-40 SCREW
- PLATING OPTIONS _____
- 1 = GOLD FLASH
- 2 = 30MICRO-INCH GOLD
- 3 = 50 MICRO-INCH GOLD

MATERIAL:

- SHELL: STEEL, NICKEL PLATED
- INSULATOR: UL 94V-O RATED, WHITE PA6T
- PROCESS TEMP.: 260° PROCESS TEMPERATURE
- CONTACT: BRASS

ELECTRICAL:

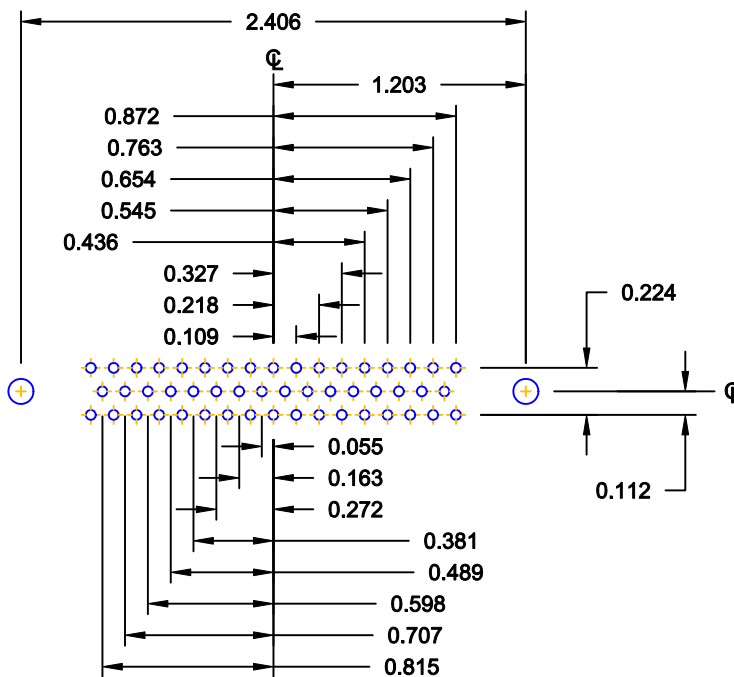
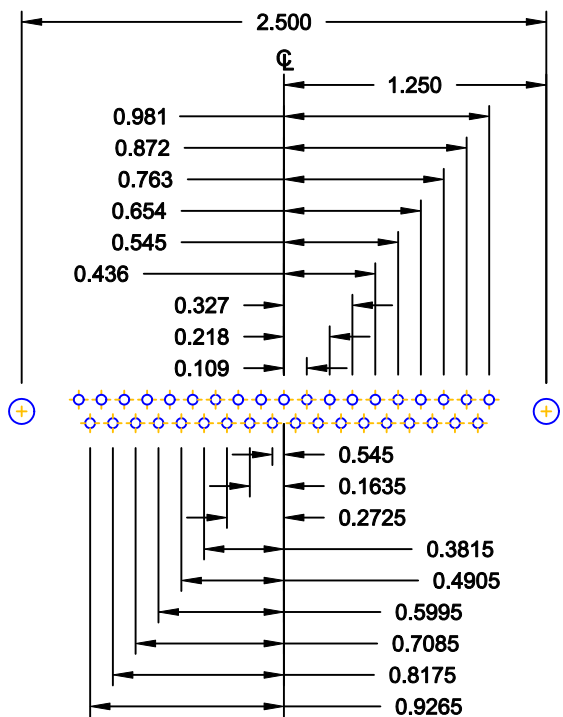
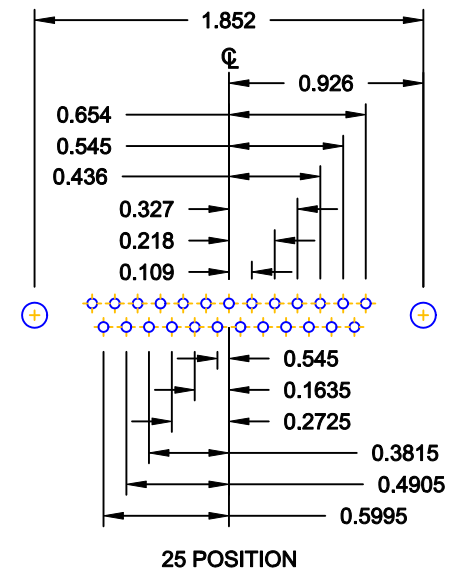
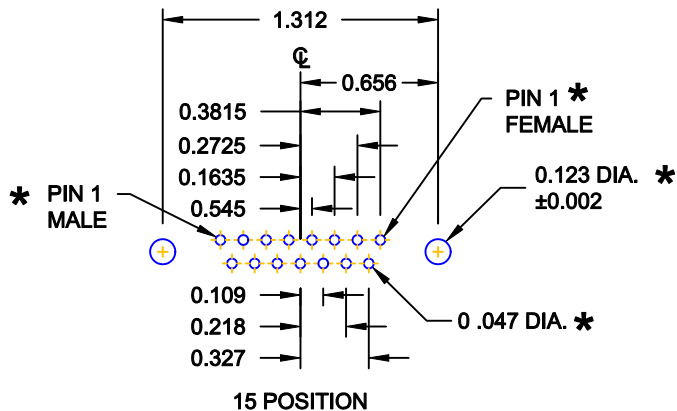
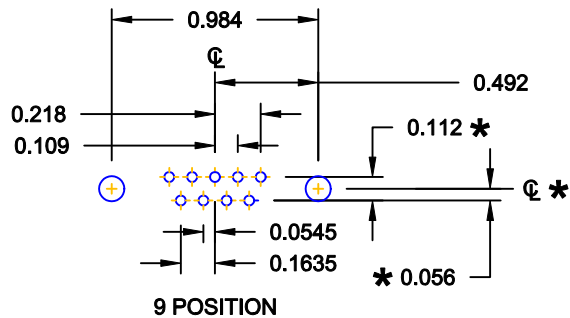
- CURRENT RATING: 5 AMPS
- CONTACT RESISTANCE: 15 mOhms Max.
- INSULATION RESISTANCE: 1,000 MOhms min.
- VOLTAGE: 500VAC FOR 1 MINUTE
- TEMPERATURE: -50° C TO 100° C

DO NOT SCALE FROM DRAWING

| | | | | |
|------------------|---|--------------------------------|-----------------------------|-----------------------|
| | THESE DRAWINGS AND SPECIFICATIONS ARE THE PROPERTY OF NorComp AND SHALL NOT BE REPRODUCED, COPIED OR USED AS THE BASIS FOR THE MANUFACTURE OF SALE OF APPARATUS WITHOUT WRITTEN PERMISSION. | | DRAWN: WAYNE ROBBINS | DATE: 11-28-05 |
| | | | CHECKED: | DATE: |
| <h1>NorComp</h1> | | SCALE: 1:1 | SHEET 1 OF 3 | REV 7 |
| | | DWG NO. 174-EYY-11YRYY1 | | |

RoHS COMPLIANT

DESCRIPTION: PCB LAYOUT - STANDARD "D" - MALE & FEMALE



* TYP. ON ALL SIZES

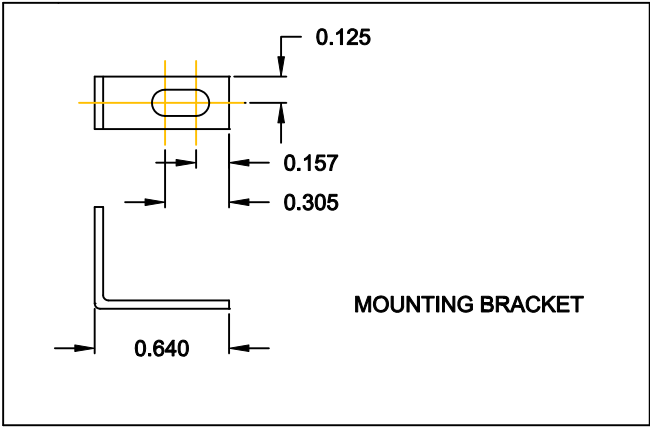
DO NOT SCALE FROM DRAWING

| | | | | |
|----------------|---|----------------------------|------------------------|-----------------------|
| | THESE DRAWINGS AND SPECIFICATIONS ARE THE PROPERTY OF NorComp AND SHALL NOT BE REPRODUCED, COPIED OR USED AS THE BASIS FOR THE MANUFACTURE OF SALE OF APPARATUS WITHOUT WRITTEN PERMISSION. | | DRAWN: C. SMITH | DATE: 03-08-06 |
| | | | CHECKED: | DATE: |
| NorComp | SCALE: FULL | SHEET 2 OF 3 | REV 7 | |
| | DWG NO. 174-EYY-11YRY1 | | | |

HARDWARE OPTIONS

REPLACE -YY IN LAST 3 DIGITS WITH OPTION CHOSEN

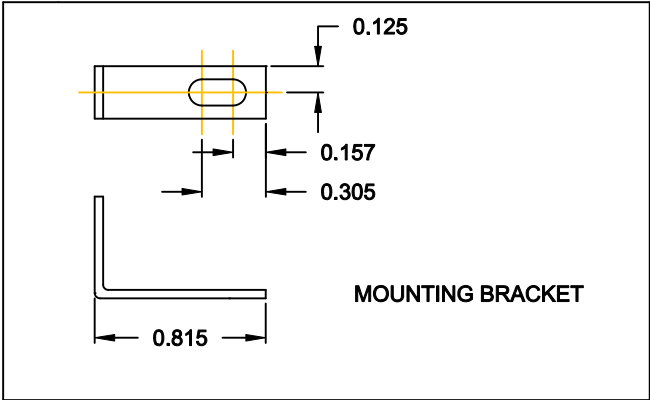
173/174 SERIES



173 / 174 SERIES

- 14Y = SHORT BRACKET & 4-40 FEMALE HEX SOCKET
- 24Y = SHORT BRACKET & 4-40 SCREW

175/176 SERIES



175 / 176 SERIES

- 15Y = LONG BRACKET & 4-40 FEMALE HEX SOCKET
- 25Y = SHORT BRACKET & 4-40 SCREW

MATERIAL: COLD ROLLED STEEL

PLATING: CLEAR ZINC

RoHS COMPLIANT

DO NOT SCALE FROM DRAWING

| | | | | |
|------------------|---|--------------------------------|------------------------------|--------------------------|
| | THESE DRAWINGS AND SPECIFICATIONS ARE THE PROPERTY OF NorComp AND SHALL NOT BE REPRODUCED, COPIED OR USED AS THE BASIS FOR THE MANUFACTURE OF SALE OF APPARATUS WITHOUT WRITTEN PERMISSION. | | DRAWN: PAM JENKINS | DATE: 11-28-05 |
| | | | CHECKED: | DATE: |
| <h1>NorComp</h1> | | SCALE: 1:1 | SHEET 3 OF 3 | REV 7 |
| | | DWG NO. 174-EYY-11YRYY1 | | |