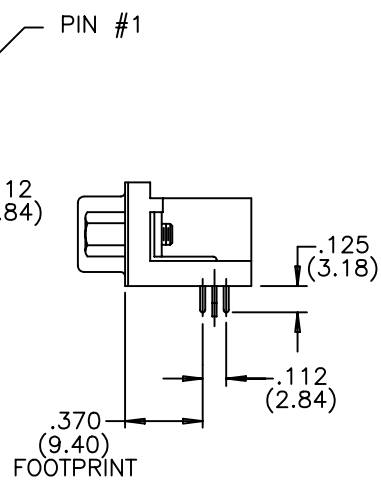
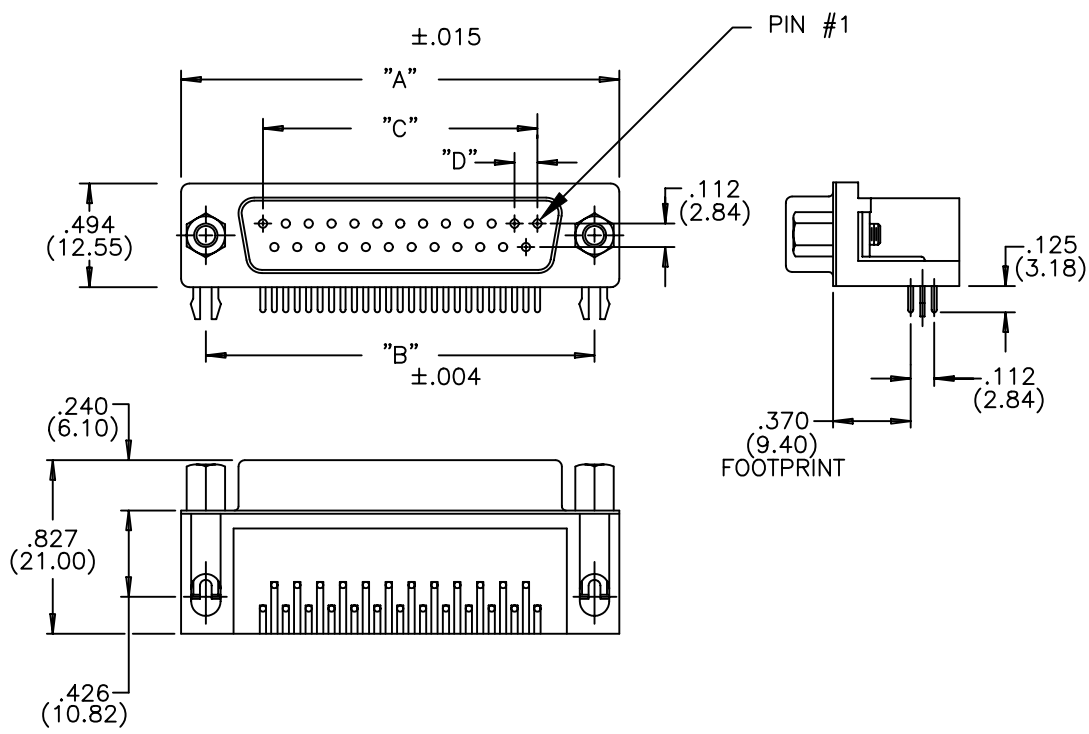


DESCRIPTION: .370" STAMPED FEMALE R/A D-SUB CONNECTOR



MATERIALS:

INSULATOR: NYLON 9T, UL94V-0 - 260°C PROCESS TEMP
 CHEMICAL RESISTANCE, COLOR BLACK

SHELL: STEEL, NICKEL TIN PLATED

CONTACT: MALE: BRASS; FEMALE: PHOSPHOR BRONZE
 GOLD FLASH - MATING AREA
 TIN PLATING ON TAIL ENDS

RoHS COMPLIANT

ELECTRICAL:

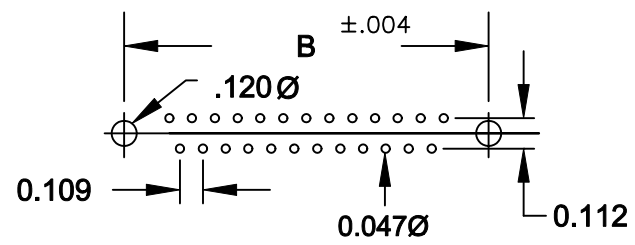
CURRENT RATING: 5 AMPERES

DIELECTRIC WITHSTANDING VOLTAGE: 1000VAC rms AT SEA LEVEL

INSULATION RESISTANCE: 5000 MEGOHMS MIN.

CONTACT RESISTANCE: 10 MILLIOHMS MAX.

WORKING TEMPERATURE: -55° TO +125° C



(9, 15, 25, 37 POSITIONS)

NUMBER OF CONTACTS	"A" Inch (mm)	"B" Inch (mm)	"C" Inch (mm)	"D" Inch (mm)
9	1.214 (30.84)	.984 (24.99)	.432 (10.97)	.109 (2.76)
15	1.545 (39.24)	1.312 (33.32)	.756 (19.20)	.109 (2.76)
25	2.088 (53.04)	1.852 (47.04)	1.304 (33.12)	.109 (2.76)
37	2.730 (69.34)	2.500 (63.50)	1.956 (49.68)	.109 (2.76)

192-025-Y13RYY1

SERIES _____

NUMBER OF CONTACTS _____

GENDER _____

1 = MALE

2 = FEMALE (NO GROUND INDENTS)

PC MOUNT _____

3 = NICKEL SHELL _____

HARDWARE OPTIONS: _____

16 = .120 MATING HOLE WITH INSIDE GROUND STRAP

17 = 4-40 INSERT WITH INSIDE GROUND STRAP

18 = 4-40 STANDOFF WITH INSIDE GROUND STRAP

53 = 4-40 INSERT WITH FORK BOARD LOCKS

56 = 4-40 STANDOFF WITH FORK BOARD LOCKS

PLATING: _____

1 = GOLD FLASH

	THESE DRAWINGS AND SPECIFICATIONS ARE THE PROPERTY OF NorComp AND SHALL NOT BE REPRODUCED, COPIED OR USED AS THE BASIS FOR THE MANUFACTURE OF SALE OF APPARATUS WITHOUT WRITTEN PERMISSION.		DRAWN: PAM JENKINS	DATE: 9-15-05
			CHECKED:	DATE:
NorComp	SCALE:	SHEET 1 OF 1	REV 3	
	DWG NO. 192-YYY-213RYY1			