

DESCRIPTION: MALE SOLDER CUP/STAMPED - SEALED

SPECIFICATIONS:

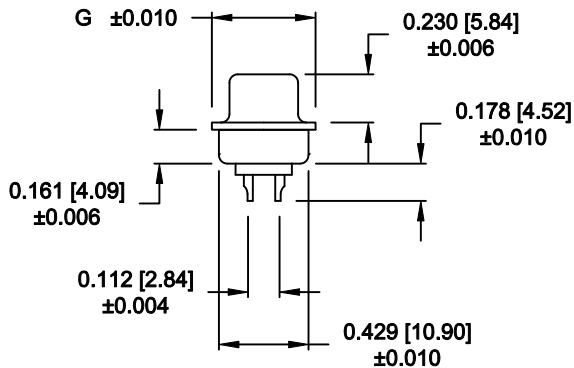
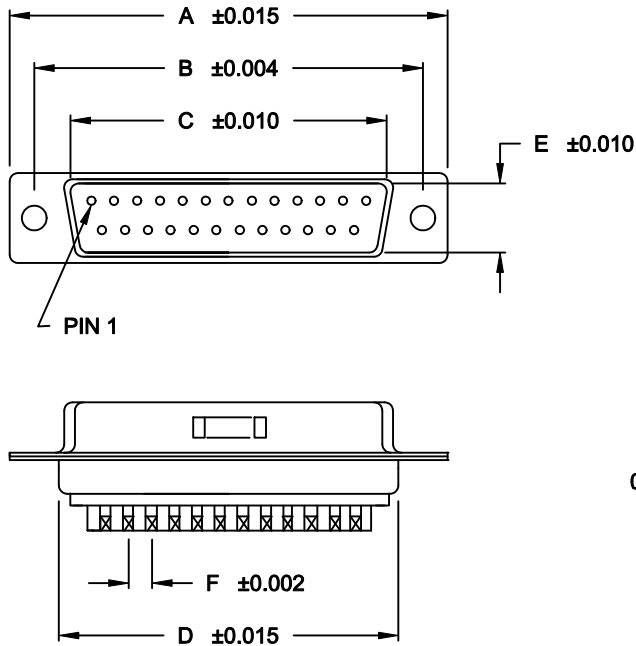
MATERIALS:

SHELL: STEEL, NICKEL PLATED
 INSULATOR: UL 94V-0 RATED BLACK PBT
 +30% FIBER-GLASS OR NYLON-66
 CONTACTS: BRASS
 SEAL: F08 FLEXIBLE ADHESIVE

POS.	A	B	C	D	E	F	G
09	1.213	0.984	0.666	0.756	0.329	.109	0.496
	30.80	24.99	16.92	19.20	8.36	2.77	12.60
15	1.543	1.312	0.994	1.091	0.329	.109	0.496
	39.19	33.32	25.25	27.70	8.36	2.77	12.60
25	2.087	1.852	1.534	1.618	0.329	.109	0.496
	53.00	47.04	38.96	41.10	8.36	2.77	12.60

ELECTRICALS:

CURRENT RATING: 5 AMPS
 CONTACT RESISTANCE: 15 mOHMS MAX
 INSULATOR RESISTANCE: 1000 MOHMS MIN
 VOLTAGE: 500V AC FOR 1 MINUTE
 TEMPERATURE: -50°C TO +100°C



671-YYY-103LYY1

SERIES _____
 POSITIONS _____
 009
 015
 025

GENDER _____
 1 = MALE

TERMINATION _____
 0 = SOLDER CUP

SHELL PLATING _____
 3 = NICKEL

HARDWARE OPTIONS _____
 00 = NO HARDWARE
 01 = .098 4-40 CLINCH NUT BOARD SIDE
 02 = .236 4-40 CLINCH NUT BOARD SIDE
 03 = .236 4-40 CLINCH NUT MATING SIDE

PLATING OPTIONS _____
 1 = GOLD FLASH
 2 = 30 MICRO-INCH GOLD

MEETS IP66 STANDARDS

(SEE PAGE 2 FOR SEALING DETAILS)

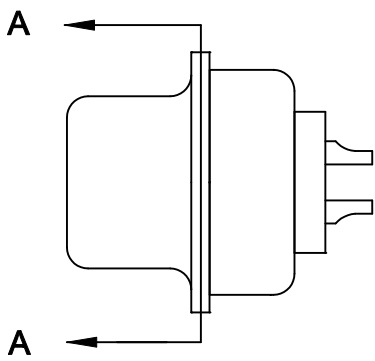
WILL ACCEPT 28-20 AWG CONDUCTORS

RoHS COMPLIANT

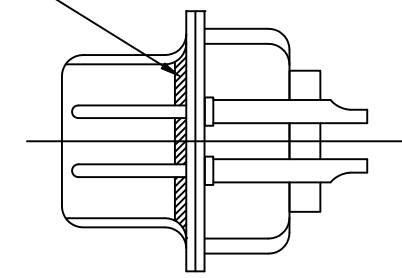
DO NOT SCALE FROM DRAWING

	THESE DRAWINGS AND SPECIFICATIONS ARE THE PROPERTY OF NorComp AND SHALL NOT BE REPRODUCED, COPIED OR USED AS THE BASIS FOR THE MANUFACTURE OF SALE OF APPARATUS WITHOUT WRITTEN PERMISSION.		DRAWN: PAM JENKINS	DATE: 10-21-11	
			CHECKED:	DATE:	
<h1>NorComp</h1>			SCALE:	SHEET 1 OF 2	REV 0
			DWG NO. 671-YYY-103LYY1		

DESCRIPTION: CLINCH NUT HARDWARE



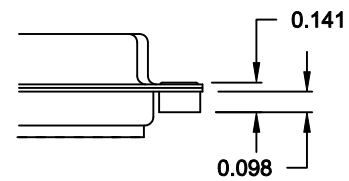
FRONT SEAL APPLIED OVER INSULATOR AND BETWEEN FRONT & REAR SHELLS



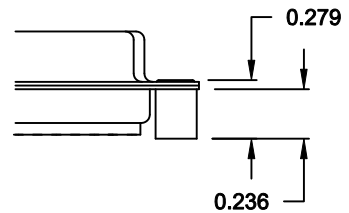
DETAIL A-A
SHOWN FOR REFERENCE ONLY

ALL CLINCH-NUTS ARE 4-40 INTERNAL THREADS

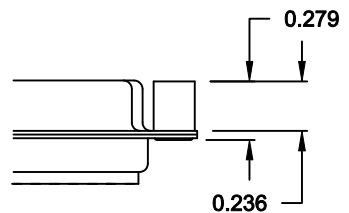
01X 0.098" (BOARD SIDE) - CN1



02X 0.236" (BOARD SIDE) - CN2



03X..... 0.236" (MATING SIDE) - CN8



TOLERANCE:
ALL DIMENSIONS ARE ±0.010

DO NOT SCALE FROM DRAWING



THESE DRAWINGS AND SPECIFICATIONS ARE THE PROPERTY OF NorComp AND SHALL NOT BE REPRODUCED, COPIED OR USED AS THE BASIS FOR THE MANUFACTURE OF SALE OF APPARATUS WITHOUT WRITTEN PERMISSION.

DRAWN:
PAM JENKINS

DATE:
10-21-11

CHECKED:

DATE:

SCALE:

SHEET **2** OF **2**

REV **0**

NorComp

DWG NO. **671-YYY-103LYY1**

RoHS COMPLIANT