

DESCRIPTION: 15 POS HIGH DENSITY OVER (2) PS/2

SPECIFICATIONS:

ELECTRICAL:

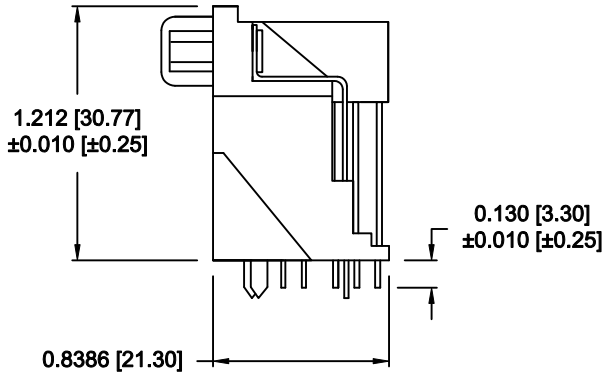
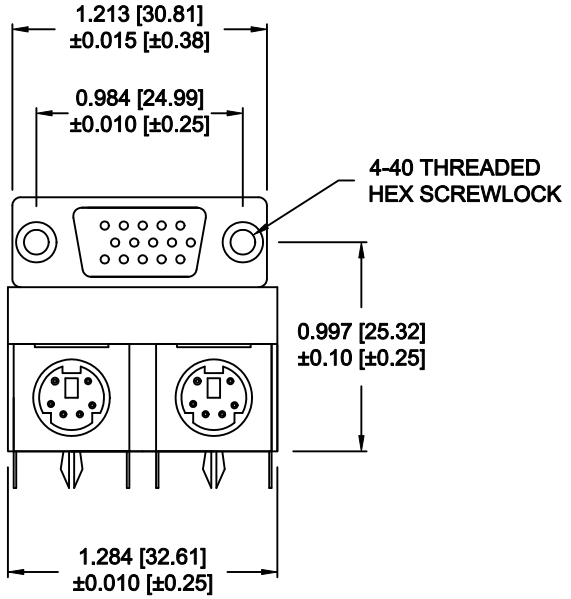
CURRENT RATING: 3 AMPS
 INSULATOR RESISTANCE: 5,000 MegOHMS Min.
 DIELECTRIC WITHSTANDING: 1,00VAC FOR 60SEC.
 CONTACT RESISTANCE: 25MilliOHMS Max.
 OPERATING TEMPERATURE: -55° ~ +105° C

MATERIAL:



CONTACTS: BRASS
 INSULATOR: NYLON 9T, UL94V-0
 PROCESS TEMPERATURE: 230°C
 HIGH DENSITY D-SUB: BLUE
 MINI-DIN = LEFT PORT: PURPLE
 RIGHT PORT: GREEN
 SHELL: COLD ROLL STEEL

PLATING:

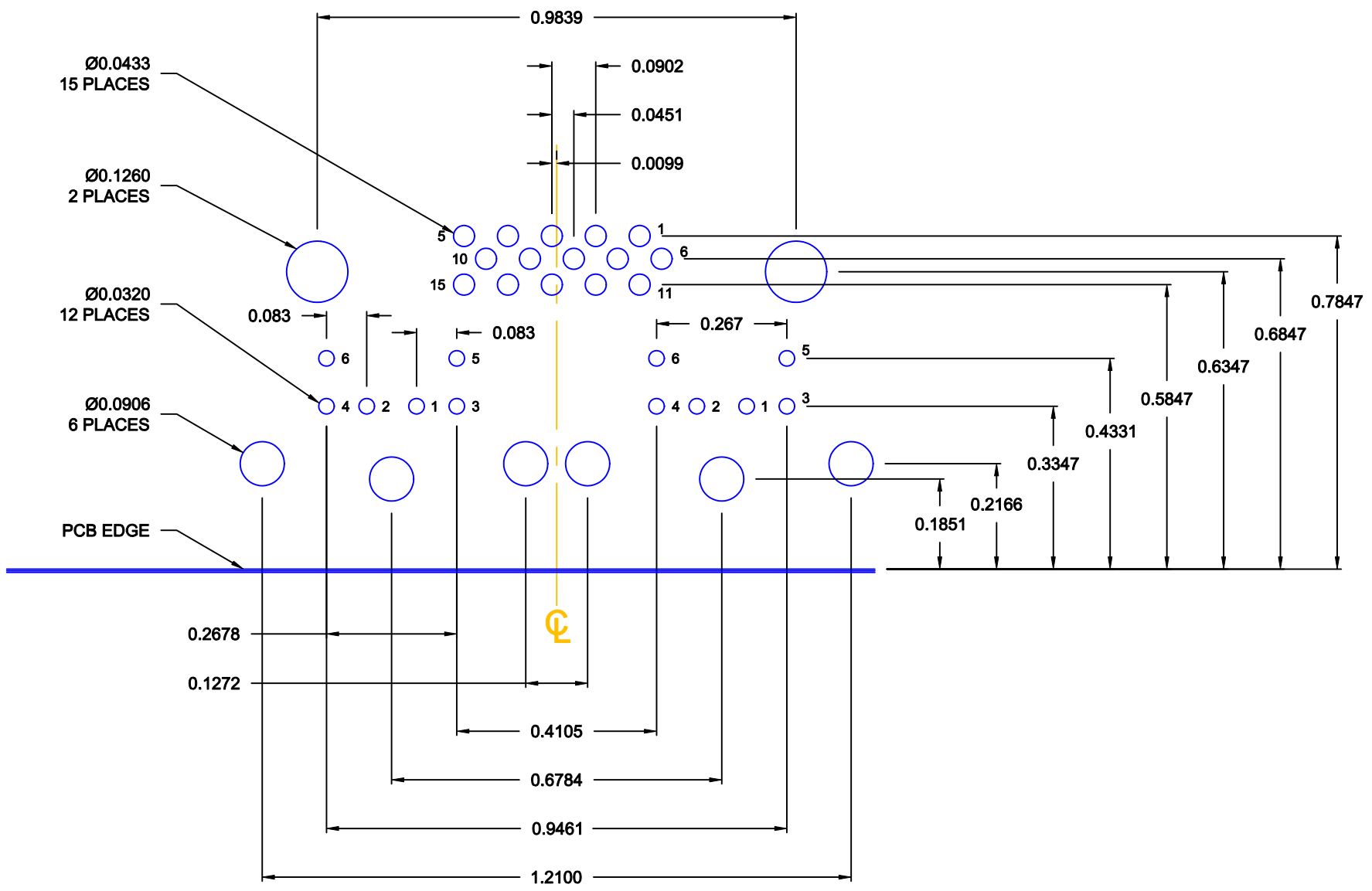
CONTACTS: GOLD FLASH
 SHELL: NICKEL




DO NOT SCALE FROM DRAWING

	THESE DRAWINGS AND SPECIFICATIONS ARE THE PROPERTY OF NorComp AND SHALL NOT BE REPRODUCED, COPIED OR USED AS THE BASIS FOR THE MANUFACTURE OF SALE OF APPARATUS WITHOUT WRITTEN PERMISSION.	DRAWN: PAM JENKINS	DATE: 11-15-05	
		CHECKED:	DATE:	
		SCALE: 1 : 1	SHEET 1 OF 3	REV 6
		DWG NO. 999-H15-PS2L571		

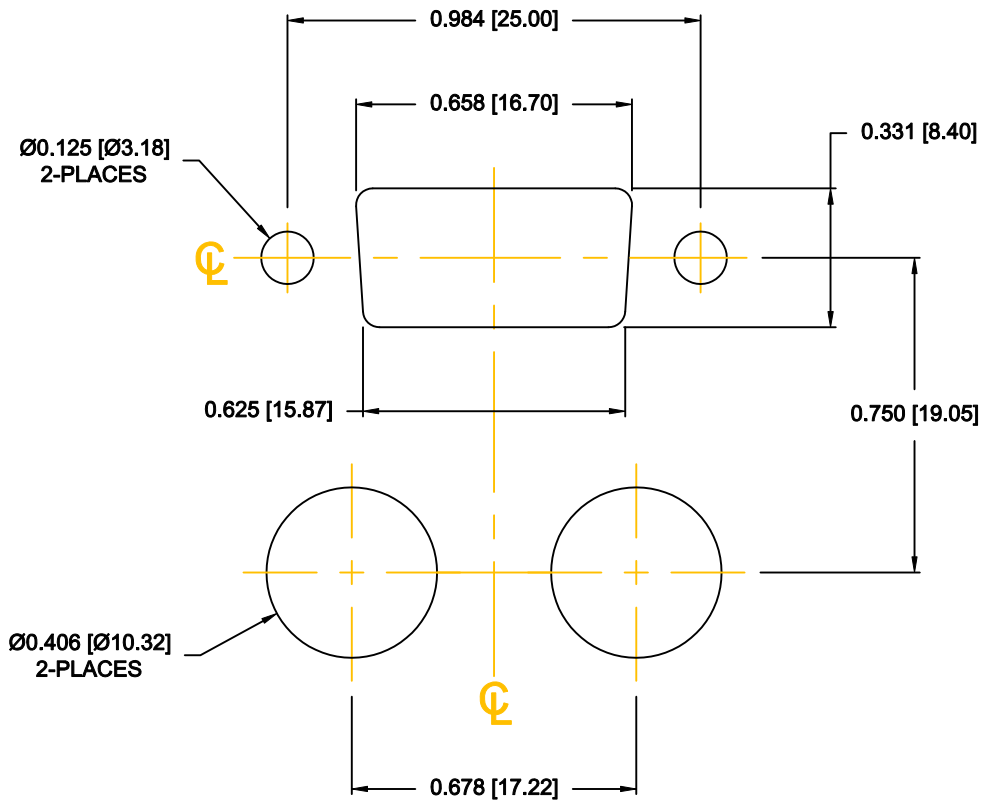
RoHS COMPLIANT




DO NOT SCALE FROM DRAWING

	THESE DRAWINGS AND SPECIFICATIONS ARE THE PROPERTY OF NorComp AND SHALL NOT BE REPRODUCED, COPIED OR USED AS THE BASIS FOR THE MANUFACTURE OF SALE OF APPARATUS WITHOUT WRITTEN PERMISSION.		DRAWN: PAM JENKINS	DATE: 11-15-05
			CHECKED:	DATE:
<h1>NorComp</h1>		SCALE: 1 : 1	SHEET 2 OF 3	REV 6
		DWG NO. 999-H15-PS2L571		

RoHS COMPLIANT



DO NOT SCALE FROM DRAWING

	THESE DRAWINGS AND SPECIFICATIONS ARE THE PROPERTY OF NorComp AND SHALL NOT BE REPRODUCED, COPIED OR USED AS THE BASIS FOR THE MANUFACTURE OF SALE OF APPARATUS WITHOUT WRITTEN PERMISSION.		DRAWN: C. SMITH	DATE: 08-31-06
			CHECKED:	DATE:
<h1>NorComp</h1>		SCALE: 2 : 1	SHEET 3 OF 3	REV 6
		DWG NO. 999-H15-PS2L571		

RoHS COMPLIANT