

DESCRIPTION: COAXIAL - SOLDER CUP - FEMALE

SPECIFICATIONS:

ELECTRICAL:

INSULATOR RESISTANCE: 5,000 MegOHMS Min.
 DIELECTRIC WITHSTANDING: 1,000VAC r.m.s.
 OPERATING TEMPERATURE: -55° C ~ +125° C
 CONTACT RESISTANCE: 30 MilliOHMS Max.
 COAXIAL PINS: 50 OHM

MECHANICAL:

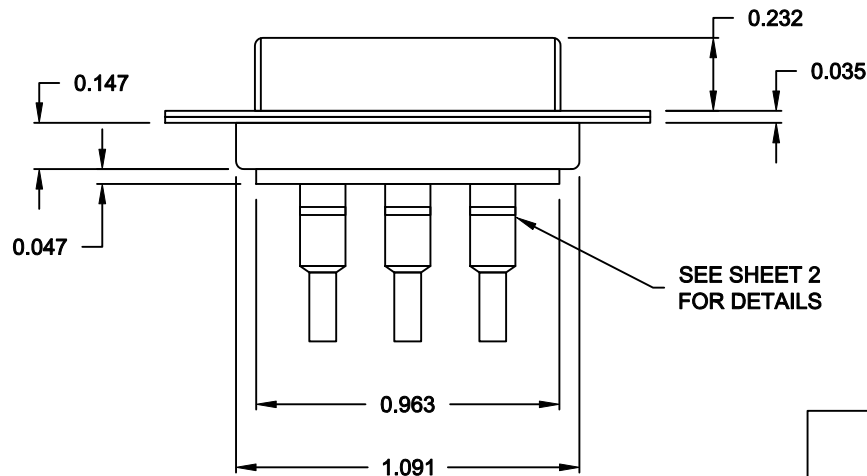
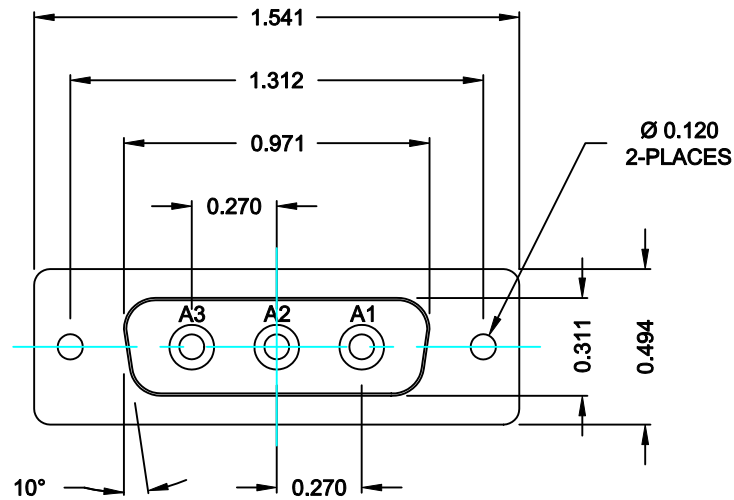
CONTACT INSERTION FORCE: 4.5 Kg Max.
 CONTACT SEPARATOR FORCE: 0.3Kg Min.

MATERIALS:

CONTACTS: BRASS
 INSULATOR: PBT UL94V-0 RATED,
 230°C PROCESS TEMP.
 SHELL: STEEL

FINISH:


SHELL: NICKEL



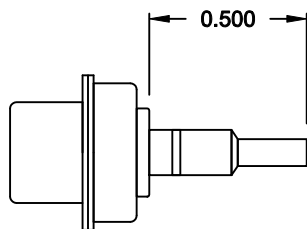
6823W3203L001

00 = 50 OHM COAXIAL

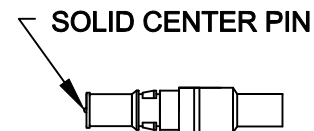
RoHS COMPLIANT

| | | | | |
|--|---|------------------------------|----------------------------|-----------------------|
|  | THESE DRAWINGS AND SPECIFICATIONS ARE THE PROPERTY OF NorComp AND SHALL NOT BE REPRODUCED, COPIED OR USED AS THE BASIS FOR THE MANUFACTURE OF SALE OF APPARATUS WITHOUT WRITTEN PERMISSION. | | DRAWN: C. SMITH | DATE: 09-21-06 |
| | | | CHECKED: X | DATE: X |
| NorComp | | SCALE: N.T.S. | SHEET 1 OF 2 | REV 2 |
| | | DWG NO. 6823W3203L001 | | |

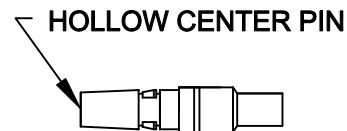
NOTE:
COAXIAL CONTACTS SUPPLIED - NOT PRE-LOADED.



COAXIAL CONTACT
ACCEPTS 50 OHM COAX, RG316/RG174




FEMALE COAXIAL CONTACT



MALE COAXIAL CONTACT

RoHS COMPLIANT

| | | | | |
|--|---|----------------------------|-----------------------|--|
|  | THESE DRAWINGS AND SPECIFICATIONS ARE THE PROPERTY OF NorComp AND SHALL NOT BE REPRODUCED, COPIED OR USED AS THE BASIS FOR THE MANUFACTURE OF SALE OF APPARATUS WITHOUT WRITTEN PERMISSION. | DRAWN: C. SMITH | DATE: 09-21-06 | |
| | | CHECKED: X | DATE: X | |
| <h1>NorComp</h1> | SCALE: N.T.S. | SHEET 2 OF 2 | REV 2 | |
| | DWG NO. 6823W3203L001 | | | |