

SPECIFICATIONS:

ELECTRICAL:

INSULATOR RESISTANCE: 5 GOHMS Min.
 DIELECTRIC WITHSTANDING: 1,000VAC r.m.s.
 OPERATING TEMPERATURE: -55° C ~ +125° C
 POWER CONTACT RESISTANCE: 1.0 Milliohms Max.
 SIGNAL CONTACT RESISTANCE: 2.7 Milliohms Max.
 POWER PINS: SEE PART NO. BELOW
 SIGNAL PINS: 5 AMPS

MECHANICAL:

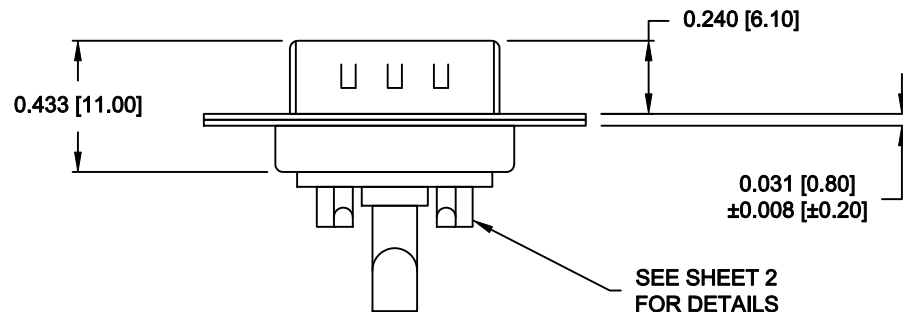
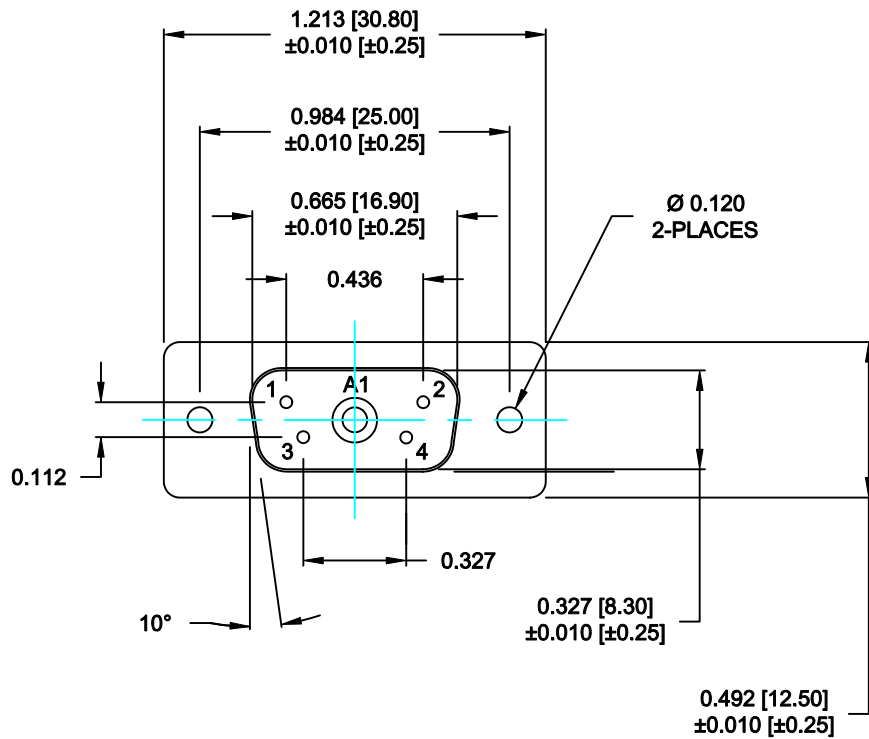
CONTACT INSERTION FORCE: 4.5 Kg Max.
 CONTACT SEPARATOR FORCE: 0.3Kg Min.

MATERIALS:

CONTACTS: COPPER ALLOY
 INSULATOR: PBT UL94V-0 RATED, BLACK
 230°C PROCESS TEMP.
 SHELL: STEEL

FINISH:

SHELL: NICKEL
 CONTACTS: FULL GOLD FLASH



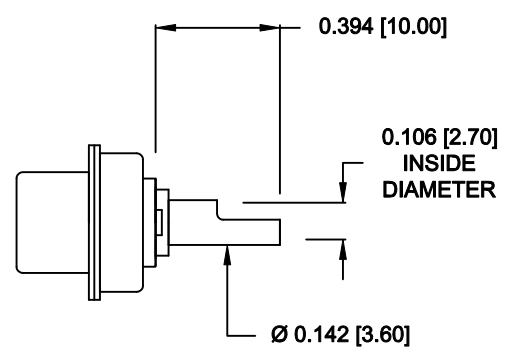
680M5W1103LYY1

20 = 20 AMPS
 40 = 40 AMPS

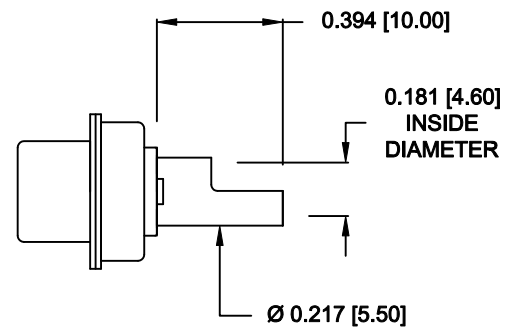
RoHS COMPLIANT

| | | | | |
|----------------|---|-------------------------------|----------------------------|--------------------------|
| | THESE DRAWINGS AND SPECIFICATIONS ARE THE PROPERTY OF NorComp AND SHALL NOT BE REPRODUCED, COPIED OR USED AS THE BASIS FOR THE MANUFACTURE OF SALE OF APPARATUS WITHOUT WRITTEN PERMISSION. | | DRAWN: M. SIGMON | DATE: 07-19-13 |
| | | | CHECKED: X | DATE: X |
| NorComp | | SCALE: N.T.S. | SHEET 1 | OF 2 |
| | | DWG NO. 680M5W1103LYY1 | | |

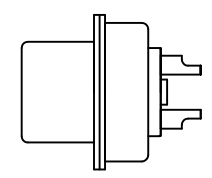
**NOTE: SIGNAL AND POWER CONTACTS
COME PRE-LOADED INTO INSULATORS**



**20 AMP POWER CONTACTS
ACCEPTS UP TO 12 AWG WIRE**



**40 AMP POWER CONTACTS
ACCEPTS UP TO 8 AWG WIRE**



**SIGNAL CONTACTS
ACCEPTS UP TO 20 AWG WIRE**



THESE DRAWINGS AND SPECIFICATIONS ARE THE PROPERTY OF NorComp AND SHALL NOT BE REPRODUCED, COPIED OR USED AS THE BASIS FOR THE MANUFACTURE OF SALE OF APPARATUS WITHOUT WRITTEN PERMISSION.

| | | | |
|----------------------------|--|--------------------------|--|
| DRAWN: M. SIGMON | | DATE: 07-19-13 | |
| CHECKED: | | DATE: | |

NorComp

| | | | |
|-------------------------------|-------------------|----------------|-----------------|
| SCALE: N.T.S. | SHEET 2 | OF 2 | REV 0 |
| DWG NO. 680M5W1103LYY1 | | | |

RoHS COMPLIANT