

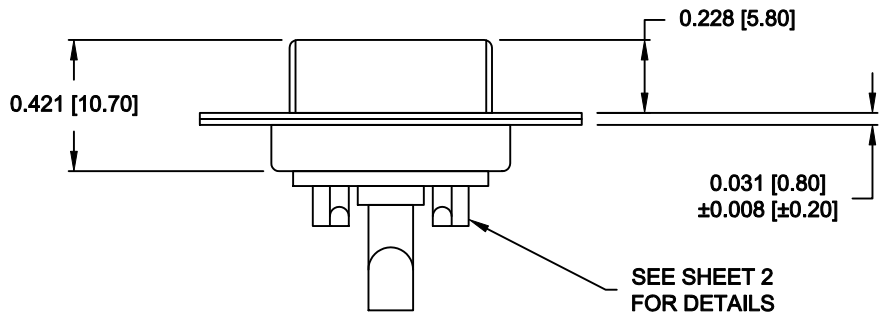
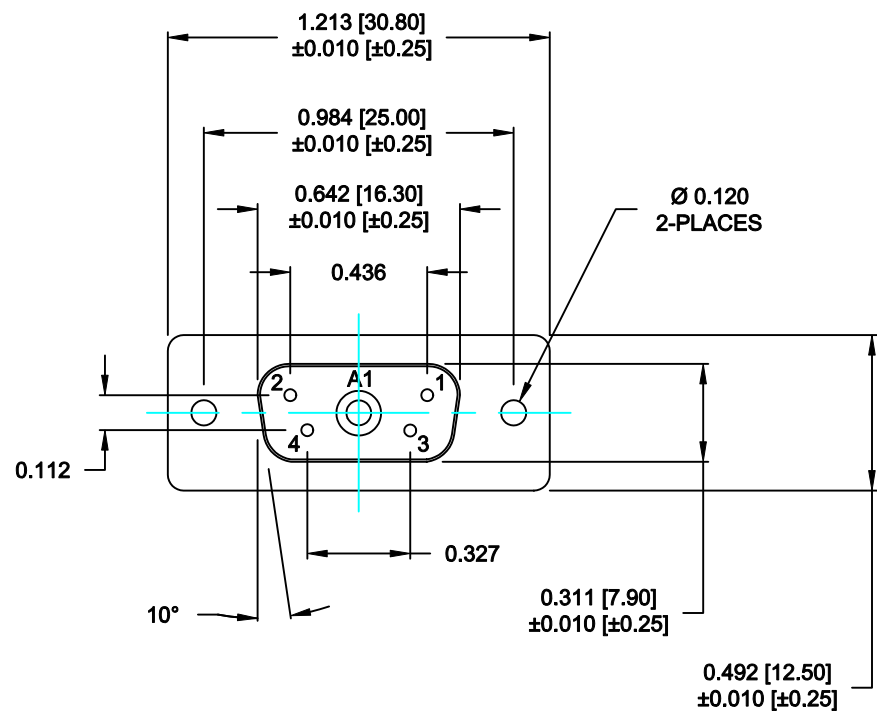
SPECIFICATIONS:

ELECTRICAL:
 INSULATOR RESISTANCE: 5 GOHMS Min.
 DIELECTRIC WITHSTANDING: 1,000VAC r.m.s.
 OPERATING TEMPERATURE: -55° C ~ +125° C
 SIGNAL CONTACT RESISTANCE: 2.7 Milliohms Max.
 POWER CONTACT RESISTANCE: 1.0 Milliohms Max.
 POWER PINS: SEE PART No. BELOW
 SIGNAL PINS: 5 AMPS

MECHANICAL:
 CONTACT INSERTION FORCE: 4.5 Kg Max.
 CONTACT SEPARATOR FORCE: 0.3Kg Min.

MATERIALS:
 CONTACTS: BRASS
 INSULATOR: PBT UL94V-0 RATED,
 230°C PROCESS TEMP.
 SHELL: STEEL

FINISH:
 SHELL: NICKEL
 CONTACTS: FULL GOLD FLASH



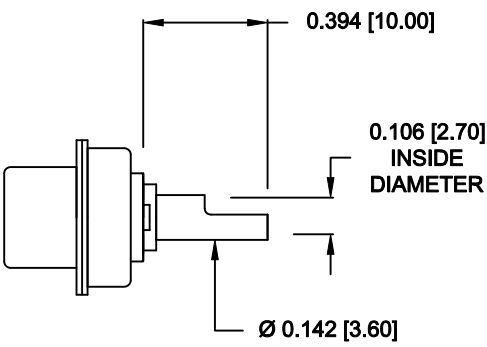
680S5W1203LYY1

20 = 20 AMPS
 40 = 40 AMPS

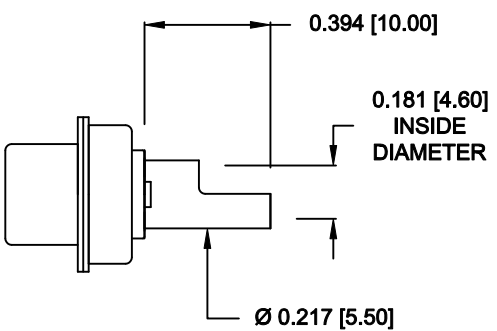
RoHS COMPLIANT

	THESE DRAWINGS AND SPECIFICATIONS ARE THE PROPERTY OF NorComp AND SHALL NOT BE REPRODUCED, COPIED OR USED AS THE BASIS FOR THE MANUFACTURE OF SALE OF APPARATUS WITHOUT WRITTEN PERMISSION.		DRAWN: M. SIGMON	DATE: 07-19-13
			CHECKED: X	DATE: X
NorComp		SCALE: N.T.S.	SHEET 1	OF 2
		DWG NO. 680M5W1203LYY1		

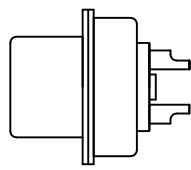
**NOTE:
SIGNAL AND POWER CONTACTS
COME PRE-LOADED INTO INSULATORS**



**20 AMP POWER CONTACTS
ACCEPTS UP TO 12 AWG WIRE**




**40 AMP POWER CONTACTS
ACCEPTS UP TO 8 AWG WIRE**



**SIGNAL CONTACTS
ACCEPTS UP TO 20 AWG WIRE**

RoHS COMPLIANT

	THESE DRAWINGS AND SPECIFICATIONS ARE THE PROPERTY OF NorComp AND SHALL NOT BE REPRODUCED, COPIED OR USED AS THE BASIS FOR THE MANUFACTURE OR SALE OF APPARATUS WITHOUT WRITTEN PERMISSION.		DRAWN: M. SIGMON	DATE: 07-19-13
			CHECKED:	DATE:
NorComp		SCALE: 1.5 = 1	SHEET 2	OF 2
		DWG NO. 680M5W1203LYY1		