

SPECIFICATIONS:

ELECTRICAL:

- INSULATOR RESISTANCE: 5 G OHMS Min.
- DIELECTRIC WITHSTANDING: 1,000VAC r.m.s.
- OPERATING TEMPERATURE: -55° C ~ +125° C
- POWER CONTACT RESISTANCE: 1.0 Milliohms Max.
- SIGNAL CONTACT RESISTANCE: 2.7 Milliohms Max.
- POWER PINS: 40 AMPS
- SIGNAL PINS: 5 AMPS

MECHANICAL:

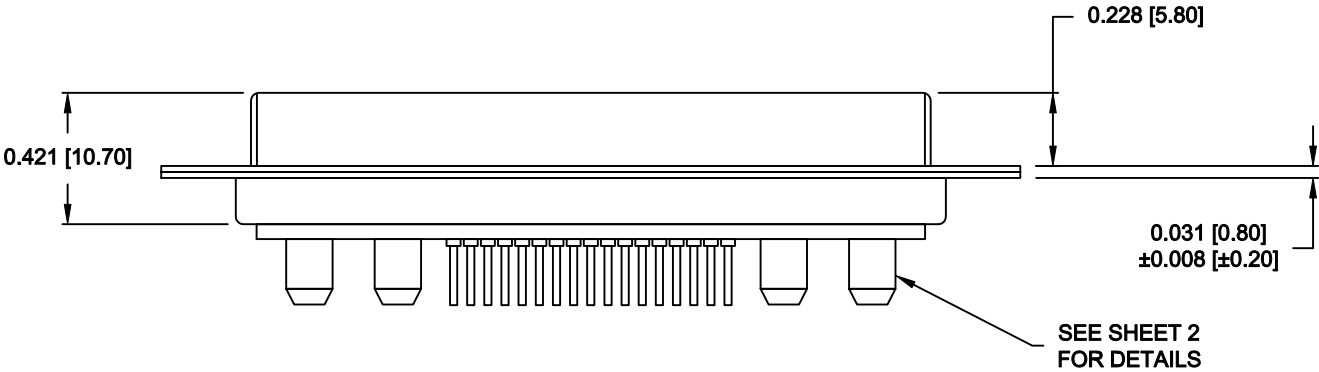
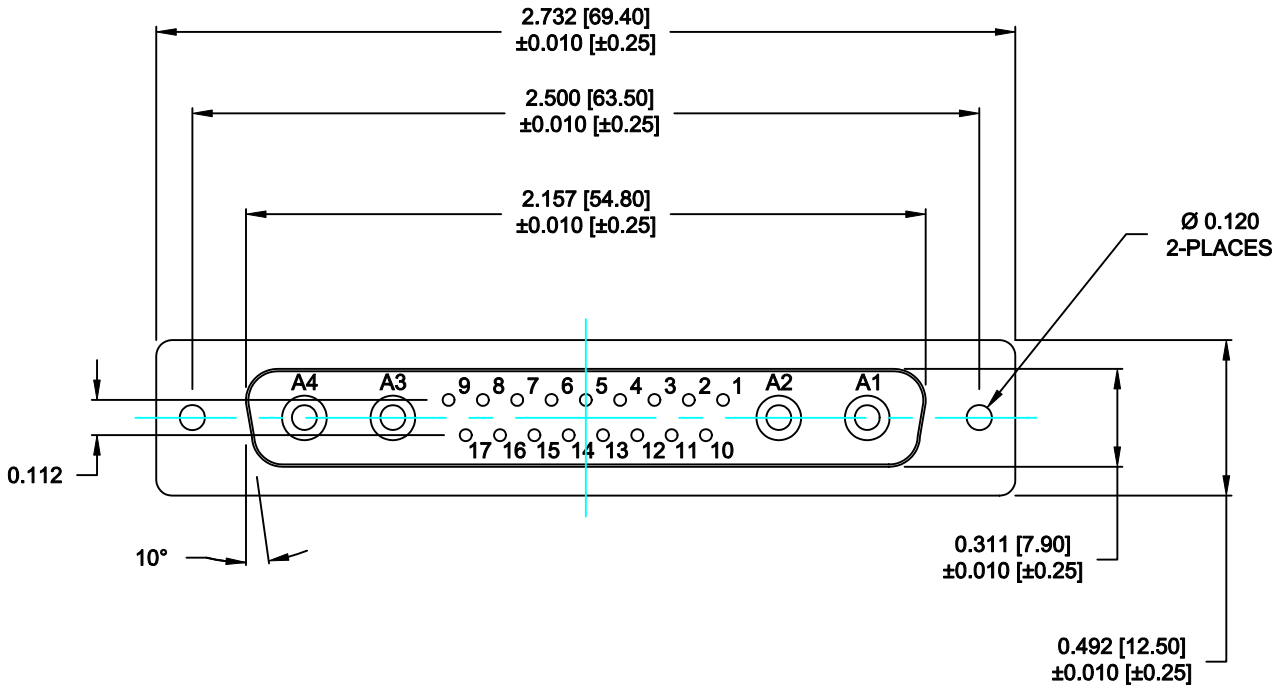
- CONTACT INSERTION FORCE: 4.5 Kg Max.
- CONTACT SEPARATOR FORCE: 0.3Kg Min.

MATERIALS:

- CONTACTS: COPPER ALLOY
- INSULATOR: PBT UL94V-0 RATED, BLACK
230°C PROCESS TEMP.
- SHELL: STEEL

FINISH:

- SHELL: NICKEL
- CONTACTS: FULL GOLD FLASH



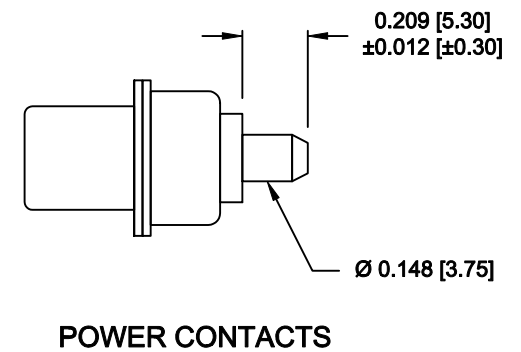
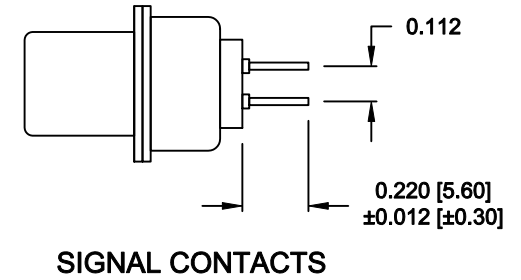
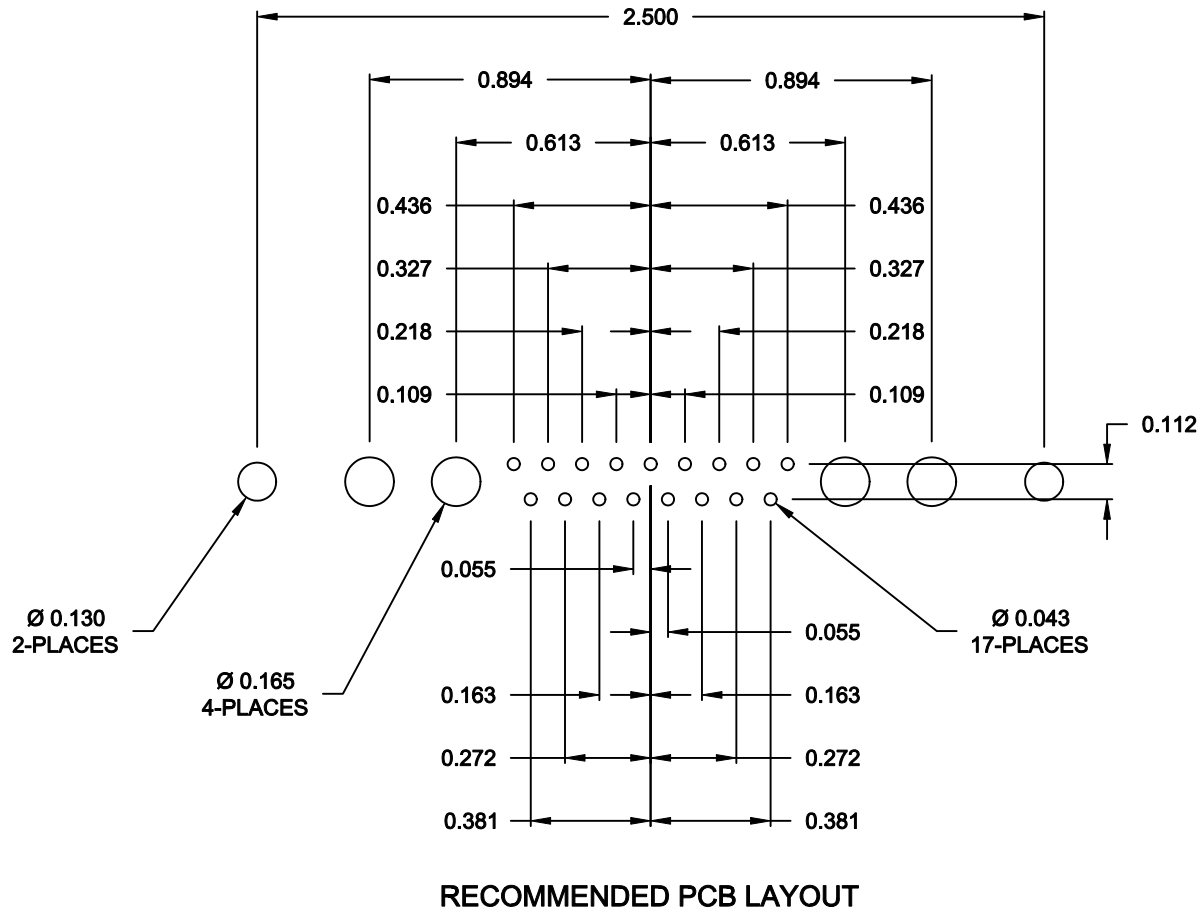
681M21WA4SL001

00 = 20 / 40 AMPS

RoHS COMPLIANT

	THESE DRAWINGS AND SPECIFICATIONS ARE THE PROPERTY OF NorComp AND SHALL NOT BE REPRODUCED, COPIED OR USED AS THE BASIS FOR THE MANUFACTURE OF SALE OF APPARATUS WITHOUT WRITTEN PERMISSION.		DRAWN: M. SIGMON	DATE: 07-19-13
	<h1>NorComp</h1>		CHECKED: X	DATE: X
SCALE: N.T.S.			SHEET 1 OF 2	REV 0
DWG NO. 681M21WA4SL001				

NOTE:
SIGNAL AND POWER CONTACTS
COME PRE-LOADED INTO INSULATORS



RoHS COMPLIANT

	THESE DRAWINGS AND SPECIFICATIONS ARE THE PROPERTY OF NorComp AND SHALL NOT BE REPRODUCED, COPIED OR USED AS THE BASIS FOR THE MANUFACTURE OF SALE OF APPARATUS WITHOUT WRITTEN PERMISSION.		DRAWN: M. SIGMON	DATE: 07-19-13
	<h1>NorComp</h1>		CHECKED: X	DATE: X
SCALE: N.T.S.			SHEET 2 OF 2	REV 0
DWG NO. 681M21WA4SL001				