

DESCRIPTION: POWER / SIGNAL - VERTICAL BOARD - MALE - MACHINED

**SPECIFICATIONS:**

**ELECTRICAL:**

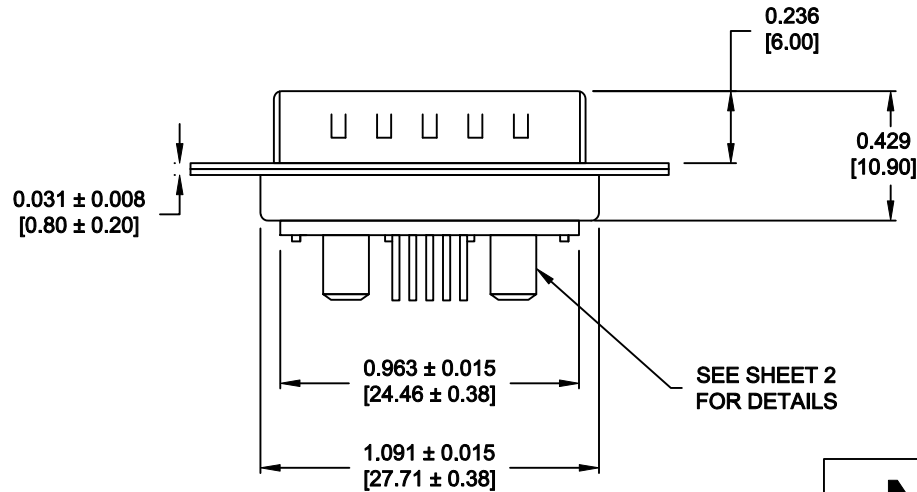
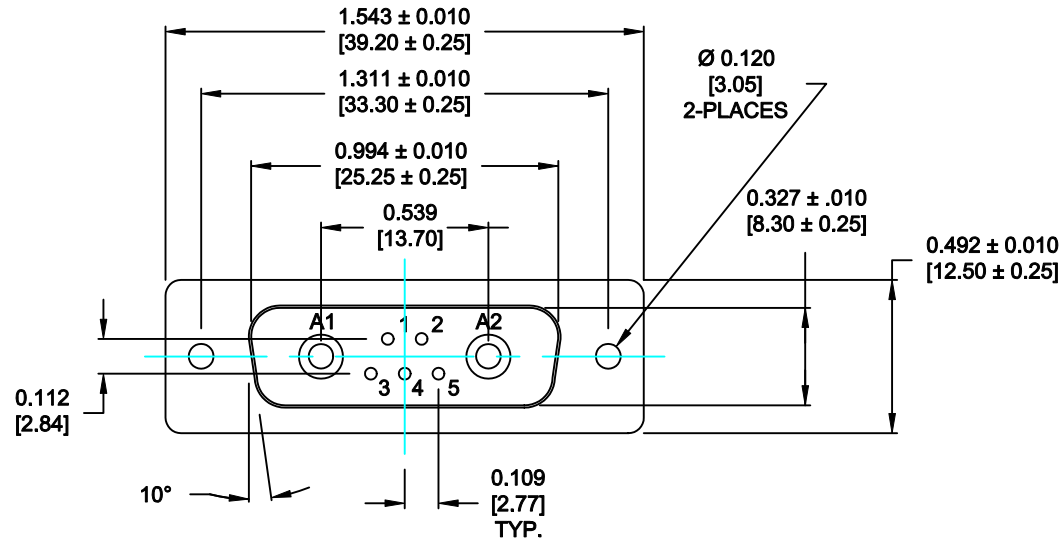
INSULATOR RESISTANCE: 5 G OHMS Min.  
 DIELECTRIC WITHSTANDING: 1,000VAC r.m.s.  
 OPERATING TEMPERATURE: -55° C ~ +155° C  
 POWER CONTACT RESISTANCE: 1.0 Milliohms Max.  
 SIGNAL CONTACT RESISTANCE: 2.7 Milliohms Max.  
 POWER PINS: 40 AMPS  
 SIGNAL PINS: 5 AMPS

**MECHANICAL:**

CONTACT INSERTION FORCE: 4.5 Kg Max.  
 CONTACT SEPARATOR FORCE: 0.3Kg Min.

**MATERIALS:**


CONTACTS: COPPER ALLOY  
 INSULATOR: PBT UL94V-0 RATED, BLK  
 230°C PROCESS TEMP.  
 STEEL  
 SHELL:  
 FINISH:  
 SHELL: NICKEL  
 CONTACTS: FULL GOLD FLASH



681M7W2103L001

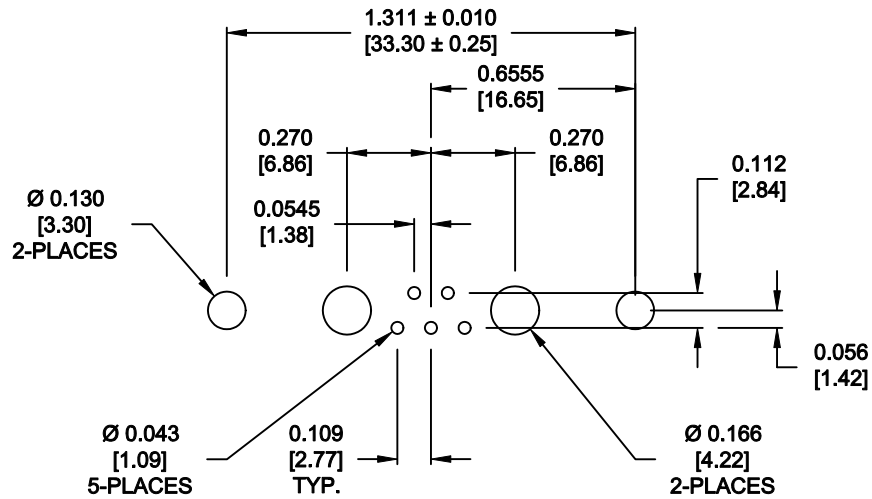
00 = 40 AMPS

RoHS COMPLIANT

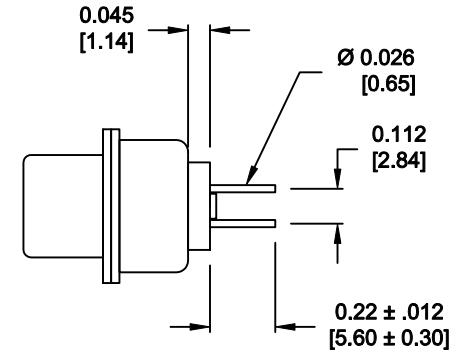
	THESE DRAWINGS AND SPECIFICATIONS ARE THE PROPERTY OF NorComp AND SHALL NOT BE REPRODUCED, COPIED OR USED AS THE BASIS FOR THE MANUFACTURE OF SALE OF APPARATUS WITHOUT WRITTEN PERMISSION.		DRAWN: <b>P.JENKINS</b>	DATE: <b>8-22-11</b>
	NorComp		CHECKED: <b>X</b>	DATE: <b>X</b>
SCALE: <b>N.T.S.</b>			SHEET <b>1</b> OF <b>2</b>	REV <b>0</b>
DWG NO.			<b>681M7W2103L001</b>	

DESCRIPTION: 681 SERIES CONTACTS

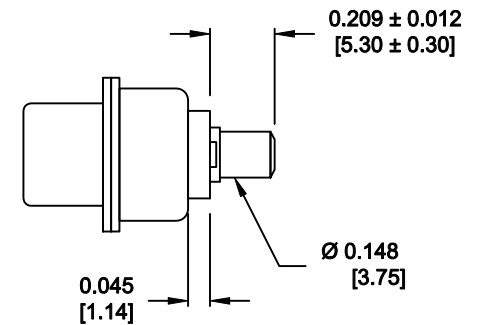
NOTE:  
SIGNAL AND POWER CONTACTS  
COME PRE-LOADED INTO INSULATORS



RECOMMENDED PCB LAYOUT  
TOLERANCE  $\pm 0.002$  [0.05]




SIGNAL CONTACTS



POWER CONTACTS

RoHS COMPLIANT

	THESE DRAWINGS AND SPECIFICATIONS ARE THE PROPERTY OF NorComp AND SHALL NOT BE REPRODUCED, COPIED OR USED AS THE BASIS FOR THE MANUFACTURE OF SALE OF APPARATUS WITHOUT WRITTEN PERMISSION.		DRAWN: <b>P. JENKINS</b>	DATE: <b>8-22-11</b>
			CHECKED: <b>X</b>	DATE: <b>X</b>
NorComp		SCALE: <b>N.T.S.</b>	SHEET OF <b>2 2</b>	REV <b>0</b>
		DWG NO. <b>681M7W2103L001</b>		