

SPECIFICATIONS:

ELECTRICAL:

INSULATOR RESISTANCE: 5,000 MegOHMS Min.
 DIELECTRIC WITHSTANDING: 1,000VAC r.m.s.
 OPERATING TEMPERATURE: -55° C ~ +125° C
 CONTACT RESISTANCE: 30 Milliohms Max.
 POWER PINS: SEE PART No. BELOW
 SIGNAL PINS: 3 AMPS

MECHANICAL:

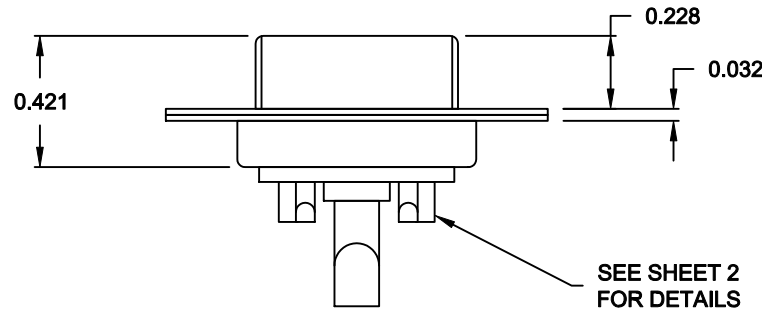
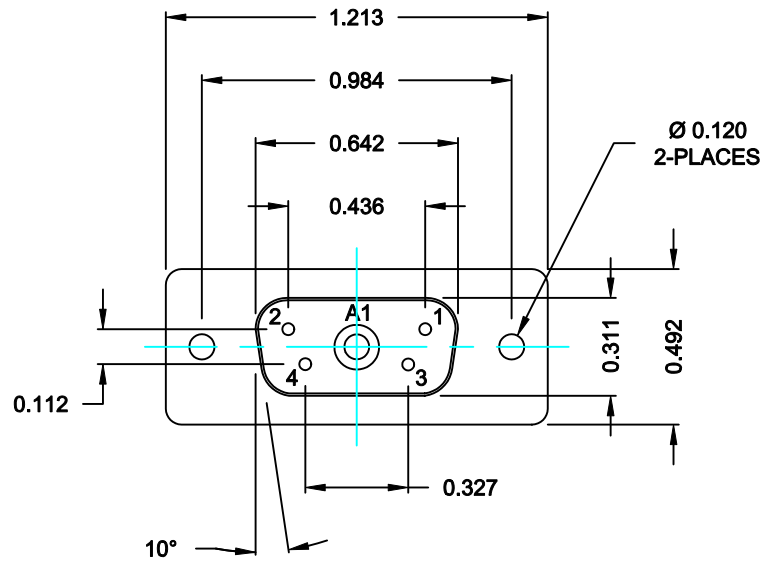
CONTACT INSERTION FORCE: 4.5 Kg Max.
 CONTACT SEPARATOR FORCE: 0.3Kg Min.

MATERIALS:

CONTACTS: BRASS
 INSULATOR: PBT UL94V-0 RATED,
 230°C PROCESS TEMP.
 SHELL: STEEL
 SEAL: F04 FLEXIBLE MATERIAL

FINISH:


SHELL: NICKEL

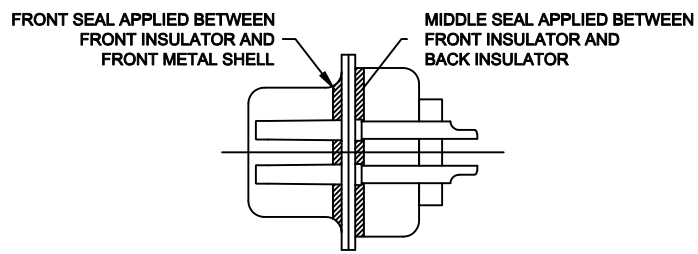
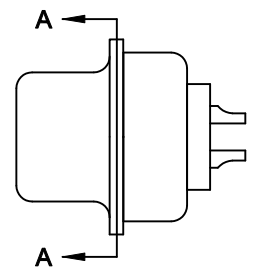


680S5W1203LYY1

20 = 20 AMPS
 40 = 40 AMPS

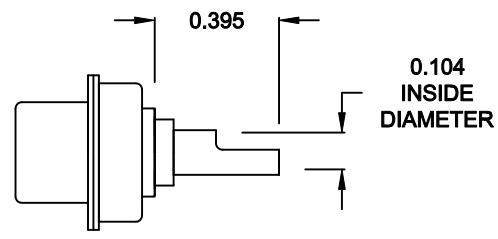
RoHS COMPLIANT

	THESE DRAWINGS AND SPECIFICATIONS ARE THE PROPERTY OF NorComp AND SHALL NOT BE REPRODUCED, COPIED OR USED AS THE BASIS FOR THE MANUFACTURE OF SALE OF APPARATUS WITHOUT WRITTEN PERMISSION.		DRAWN: M. SIGMON	DATE: 06-10-13
			CHECKED: X	DATE: X
<h1>NorComp</h1>		SCALE: N.T.S.	SHEET 1 OF 2	REV 0
		DWG NO. 680S5W1203LYY1		

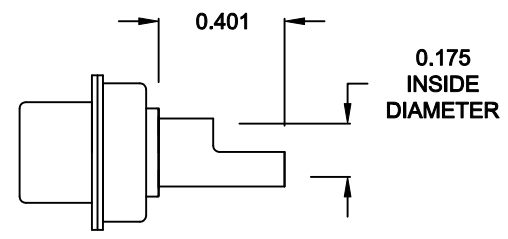


DETAIL A-A
SHOWN FOR REFERENCE ONLY

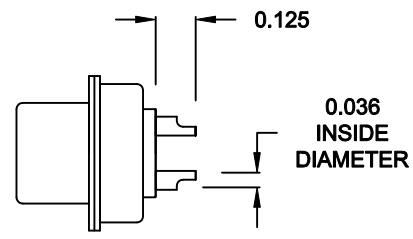
**NOTE:
SIGNAL AND POWER CONTACTS
COME PRE-LOADED INTO INSULATORS**



**20 AMP POWER CONTACTS
ACCEPTS UP TO 12 AWG WIRE**



**40 AMP POWER CONTACTS
ACCEPTS UP TO 8 AWG WIRE**



**SIGNAL CONTACTS
ACCEPTS UP TO 20 AWG WIRE**

RoHS COMPLIANT



THESE DRAWINGS AND SPECIFICATIONS ARE THE PROPERTY OF NorComp AND SHALL NOT BE REPRODUCED, COPIED OR USED AS THE BASIS FOR THE MANUFACTURE OR SALE OF APPARATUS WITHOUT WRITTEN PERMISSION.

DRAWN: M. SIGMON		DATE: 06-10-13	
CHECKED:		DATE:	
SCALE: 1.5 = 1	SHEET 2	OF 2	REV 0
DWG NO.		680S5W1203LYY1	

NorComp