

DESCRIPTION: POWER / SIGNAL - SOLDER CUP - FEMALE

SPECIFICATIONS:

ELECTRICAL:

INSULATOR RESISTANCE: 5 G OHMS Min.
 DIELECTRIC WITHSTANDING: 1,000 VAC for 1 MINUTE
 OPERATING TEMPERATURE: -55° C ~ +155° C
 POWER CONTACT RESISTANCE: 1.0 Milliohms Max.
 SIGNAL CONTACT RESISTANCE: 2.7 Milliohms Max.
 POWER PINS: SEE PART No. BELOW
 SIGNAL PINS: 5 AMPS

MECHANICAL:

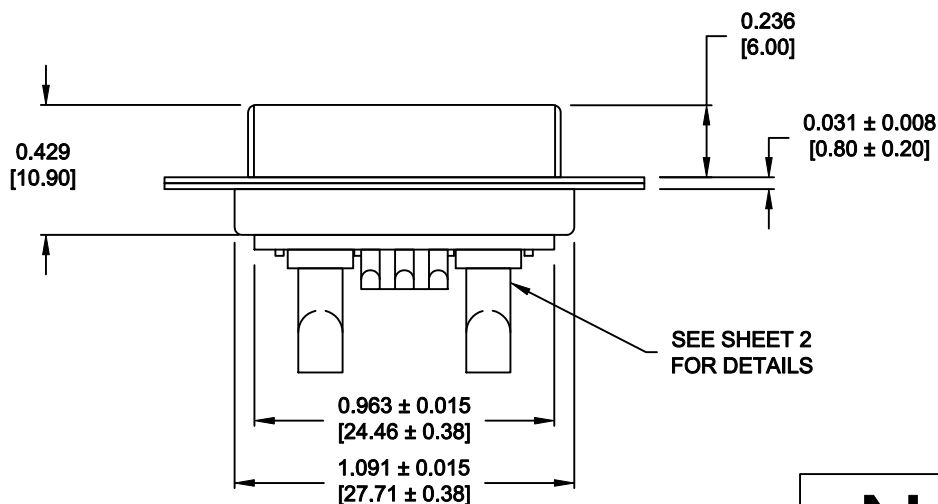
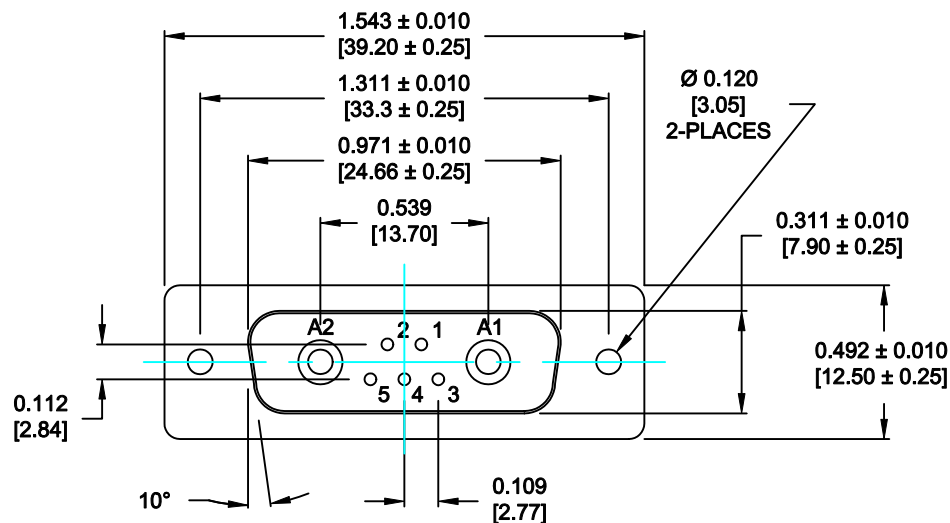
CONTACT INSERTION FORCE: 4.5 Kg Max.
 CONTACT SEPARATOR FORCE: 0.3Kg Min.

MATERIALS:

CONTACTS: COPPER ALLOY
 INSULATOR: PBT UL94V-0 RATED, BLK
 230°C PROCESS TEMP.
 SHELL: STEEL
 SEAL: F04 FLEXIBLE ADHESIVE

FINISH:

SHELL: NICKEL
 CONTACTS: FULL GOLD FLASH




680S7W2203LYY1

20 = 20 AMPS
 40 = 40 AMPS

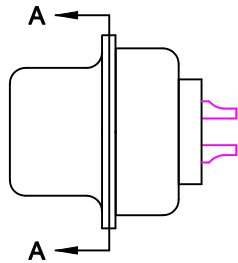
MEETS IP67 STANDARDS

(SEE PAGE 2 FOR SEALING DETAILS)

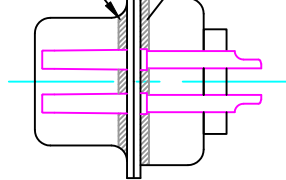
RoHS COMPLIANT

	THESE DRAWINGS AND SPECIFICATIONS ARE THE PROPERTY OF NorComp AND SHALL NOT BE REPRODUCED, COPIED OR USED AS THE BASIS FOR THE MANUFACTURE OF SALE OF APPARATUS WITHOUT WRITTEN PERMISSION.		DRAWN: P. JENKINS	DATE: 9-13-11
			CHECKED: X	DATE: X
<h1>NorComp</h1>		SCALE: N.T.S.	SHEET 1	OF 2
		DWG NO. 680S7W2203LYY1		

DESCRIPTION: 680 SERIES CONTACTS

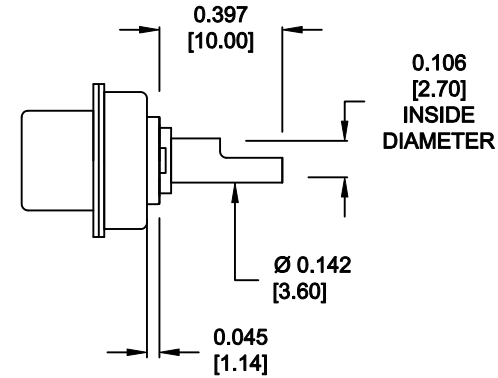


FRONT SEAL APPLIED BETWEEN FRONT INSULATOR AND FRONT METAL SHELL
 MIDDLE SEAL APPLIED BETWEEN FRONT INSULATOR AND BACK INSULATOR

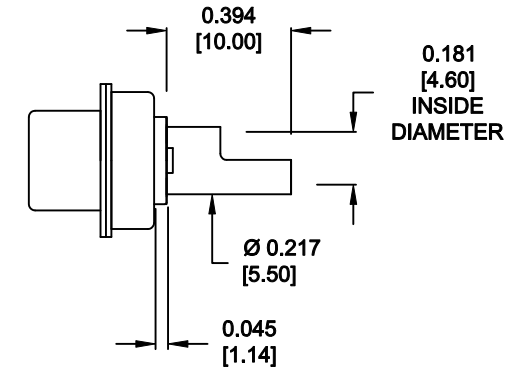


DETAIL A-A
 SHOWN FOR REFERENCE ONLY

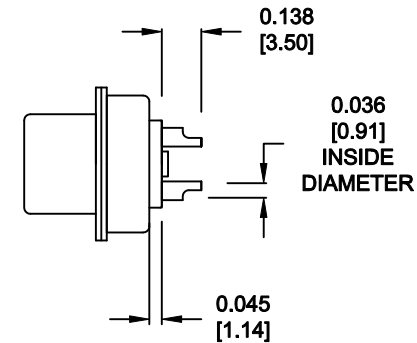
NOTE: SIGNAL AND POWER CONTACTS COME PRE-LOADED INTO INSULATORS



20 AMP POWER CONTACTS
 ACCEPTS UP TO 12 AWG WIRE



40 AMP POWER CONTACTS
 ACCEPTS UP TO 8 AWG WIRE



SIGNAL CONTACTS
 ACCEPTS UP TO 20 AWG WIRE



THESE DRAWINGS AND SPECIFICATIONS ARE THE PROPERTY OF NorComp AND SHALL NOT BE REPRODUCED, COPIED OR USED AS THE BASIS FOR THE MANUFACTURE OF SALE OF APPARATUS WITHOUT WRITTEN PERMISSION.

DRAWN: P. JENKINS

DATE: 9-13-11

CHECKED: X

DATE: X

SCALE: N.T.S. SHEET 2 OF 2 REV 0

NorComp

DWG NO. 680S7W2203LYY1

RoHS COMPLIANT