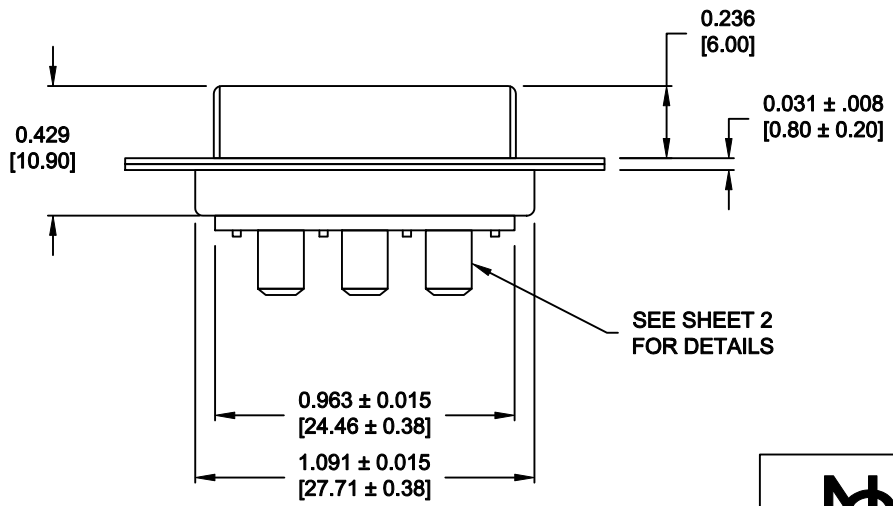
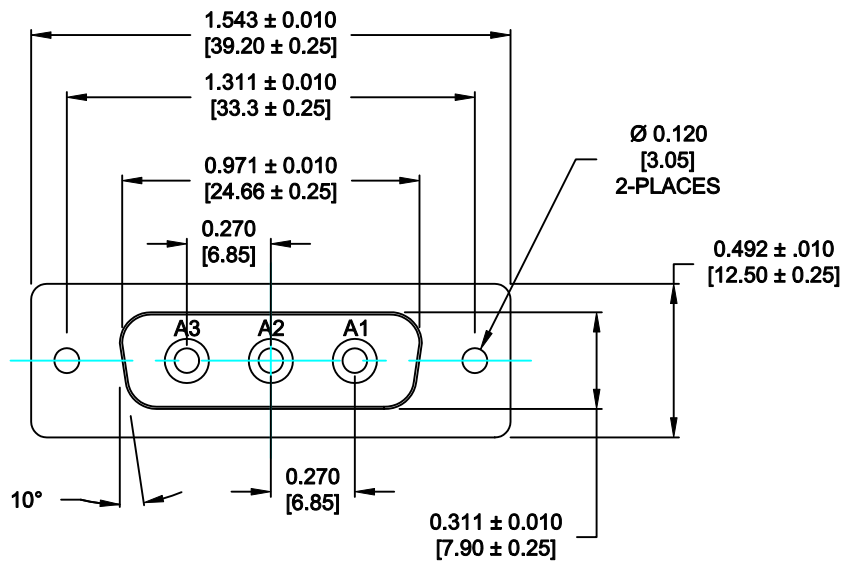


DESCRIPTION: POWER - VERTICAL BOARD - FEMALE



**SPECIFICATIONS:**

**ELECTRICAL:**  
 INSULATOR RESISTANCE: 5 GOHMS Min.  
 DIELECTRIC WITHSTANDING: 1,000VAC for 1 MINUTE  
 OPERATING TEMPERATURE: -55° C ~ +155° C  
 CONTACT RESISTANCE: 1 MOHMS Max.  
 POWER PINS: SEE PART No. BELOW

**MECHANICAL:**  
 CONTACT INSERTION FORCE: 4.5 Kg Max.  
 CONTACT SEPARATOR FORCE: 0.3Kg Min.

**MATERIALS:**  
 CONTACTS: COPPER ALLOY  
 INSULATOR: PBT UL94V-0 RATED, BLACK  
 230°C PROCESS TEMP.  
 SHELL: STEEL  
 SEAL: F04 FLEXIBLE ADHESIVE

**FINISH:**  
 SHELL: NICKEL  
 CONTACTS: FULL GOLD FLASH


**681S3W3203L001**

00 = 40 AMPS

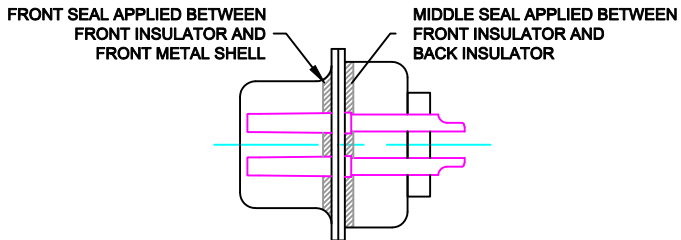
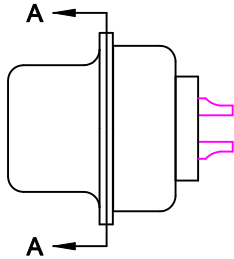
**MEETS IP67 STANDARDS**

(SEE PAGE 2 FOR SEALING DETAILS)

**RoHS COMPLIANT**

	THESE DRAWINGS AND SPECIFICATIONS ARE THE PROPERTY OF NorComp AND SHALL NOT BE REPRODUCED, COPIED OR USED AS THE BASIS FOR THE MANUFACTURE OF SALE OF APPARATUS WITHOUT WRITTEN PERMISSION.		DRAWN: <b>P. JENKINS</b>	DATE: <b>09-13-11</b>
			CHECKED: <b>X</b>	DATE: <b>X</b>
<h1>NorComp</h1>		SCALE: <b>N.T.S.</b>	SHEET <b>1</b> OF <b>2</b>	REV <b>0</b>
		DWG NO. <b>681S3W3203L001</b>		

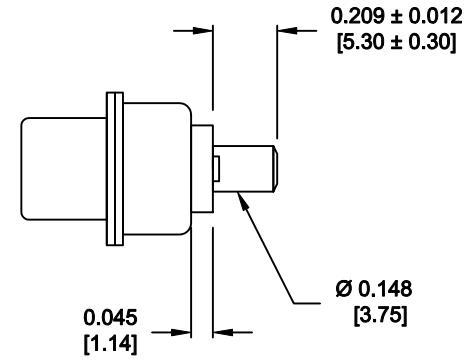
DESCRIPTION: 681 SERIES CONTACTS



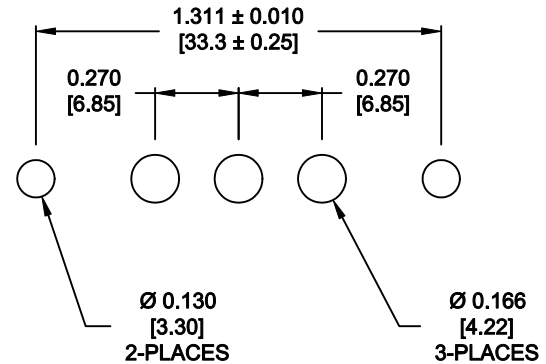
DETAIL A-A

SHOWN FOR REFERENCE ONLY

NOTE: POWER CONTACTS COME PRE-LOADED INTO INSULATORS



POWER CONTACTS



RECOMMENDED PCB LAYOUT  
TOLERANCE ± 0.002 [0.05]

RoHS COMPLIANT



THESE DRAWINGS AND SPECIFICATIONS ARE THE PROPERTY OF NorComp AND SHALL NOT BE REPRODUCED, COPIED OR USED AS THE BASIS FOR THE MANUFACTURE OF SALE OF APPARATUS WITHOUT WRITTEN PERMISSION.

DRAWN: P. JENKINS

DATE: 09-13-11

CHECKED: X

DATE: X

NorComp

SCALE: N.T.S. SHEET 2 OF 2 REV 0

DWG NO. 681S3W3203L001