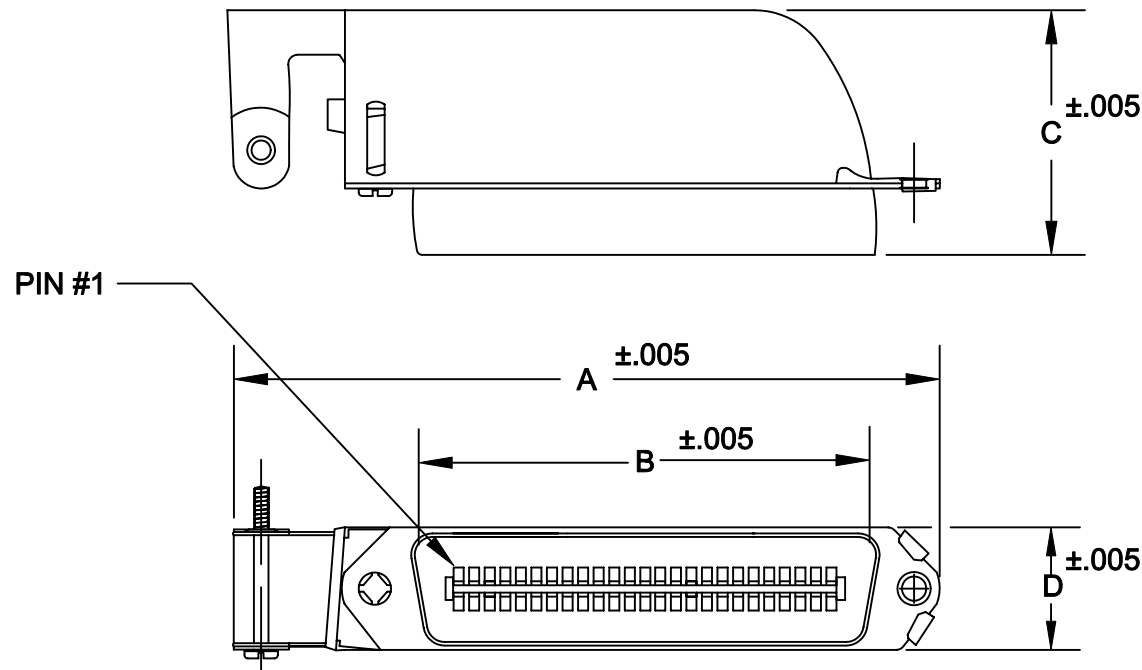


**DESCRIPTION: SCSI 1 MALE RIGHT ANGLE CONNECTOR/BACKSHELL KIT**

**A B C D**

36	DISCONTINUED			
50	3.780	2.538	1.325	.646
	96.00	64.47	33.65	16.40



**KIT INCLUDES:  
SOLDER CUP CONNECTOR  
BACKSHELL/HARDWARE**

112-XXX-103L011

SERIES \_\_\_\_\_  
 POSITIONS \_\_\_\_\_  
 050  
 GENDER \_\_\_\_\_  
 1 = MALE  
 TERMINATION \_\_\_\_\_  
 0 = SOLDER CUP  
 SHELL PLATING \_\_\_\_\_  
 3 = NICKEL  
 HARDWARE OPTIONS \_\_\_\_\_  
 01 = PIN #1 AT CABLE ENTRY  
 PLATING OPTIONS \_\_\_\_\_  
 01 = GOLD FLASH

**MATERIALS:**

**INSULATOR: GLASS-FILLED THERMOPLASTIC  
 UL RATED 94V-0  
 CONTACTS: COPPER ALLOY  
 SHELL: STEEL, NICKEL PLATED  
 CONTACT PLATING: GOLD PLATED  
 RoHS COMPLIANT**

**NOTE: PLEASE NOTE ORIENTATION OF CONNECTOR IN REGARDS TO CABLE ENTRY.**

**ELECTRICALS:**

**CONTACT CURRENT RATING: 5 AMPS  
 DIELECTRIC WITHSTANDING VOLTAGE: AC 1200 R.M.S.  
 INSULATION RESISTANCE: 1000 mohms MINIMUM AT 500V DC  
 CONTACT RESISTANCE: 30 mOHMS MAXIMUM  
 OPERATING TEMPERATURE: -55°C TO +125°C**

	THESE DRAWINGS AND SPECIFICATIONS ARE THE PROPERTY OF NorComp AND SHALL NOT BE REPRODUCED, COPIED OR USED AS THE BASIS FOR THE MANUFACTURE OF SALE OF APPARATUS WITHOUT WRITTEN PERMISSION.		DRAWN: <b>WAYNE ROBBINS</b>	DATE: <b>9-25-98</b>
			CHECKED:	DATE:
<h1>NorComp</h1>		SCALE: 1:1	SHEET <b>1</b> OF <b>1</b>	REV <b>3</b>
		DWG NO. <b>112-XXX-103L011</b>		