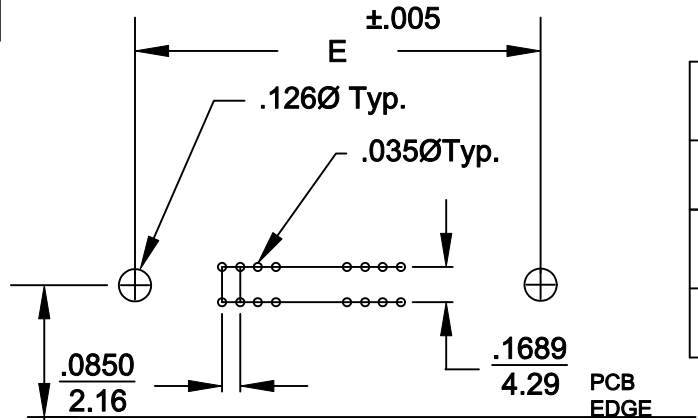
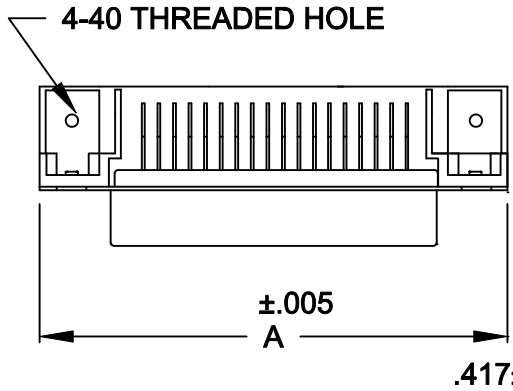


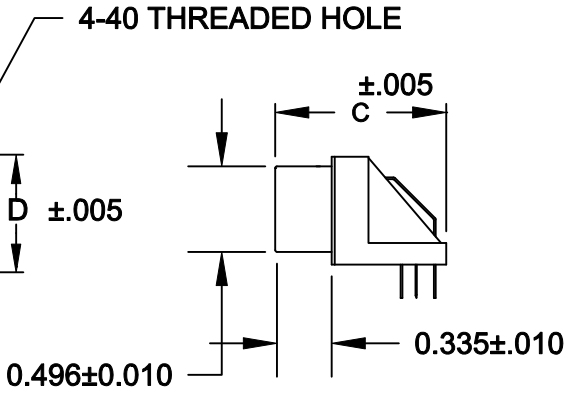
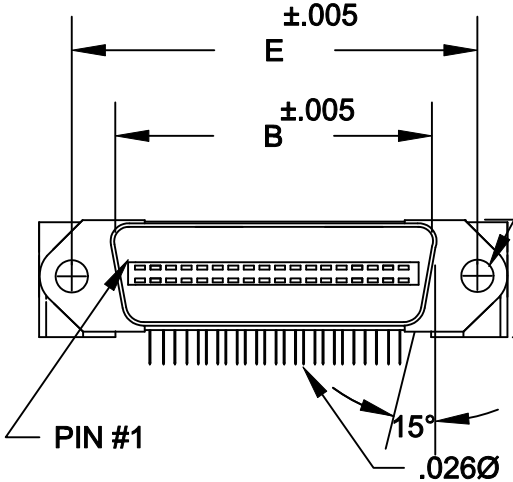
DESCRIPTION: .085" RIBBON R/A BOARD MOUNT



RECOMMENDED PCB LAYOUT

SCALE = 2 : 1

	A	B	C	D	E
14	1.720 43.70	1.008 25.60	.984 25.00	.618 15.70	1.417 35.99
24	2.146 54.50	1.436 36.47	.984 25.00	.618 15.70	1.843 46.79
36	2.662 67.60	1.943 49.35	.984 25.00	.618 15.70	2.352 59.74
50	3.260 82.80	2.539 64.47	.984 25.00	.618 15.70	2.947 74.85



112-YYY-113R001

SERIES _____

POSITIONS _____

014
024
036
050

GENDER _____

1 = MALE

TERMINATION _____

1 = DIP SOLDER

SHELL PLATING _____

3 = NICKEL

HARDWARE OPTIONS _____

00 = 4-40 THREAD (PCB)

PLATING OPTIONS _____

01 = GOLD FLASH

MATERIALS:

INSULATOR: GLASS-FILLED THERMOPLASTIC
UL RATED 94V-0
CONTACTS: COPPER ALLOY
RoHS COMPLIANT

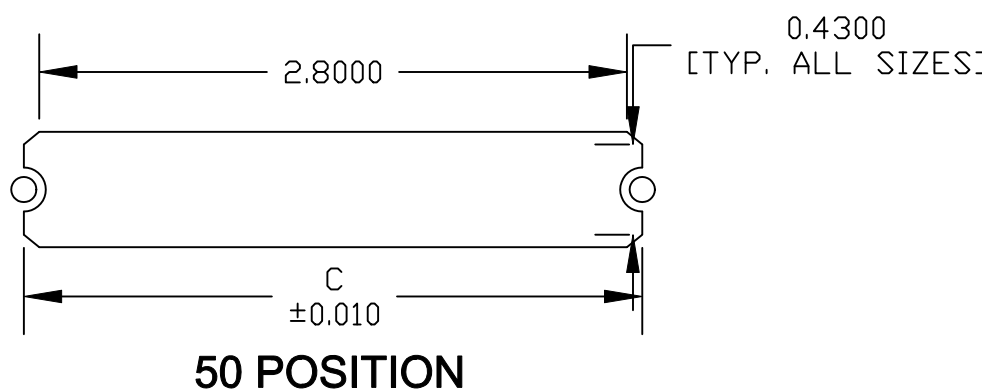
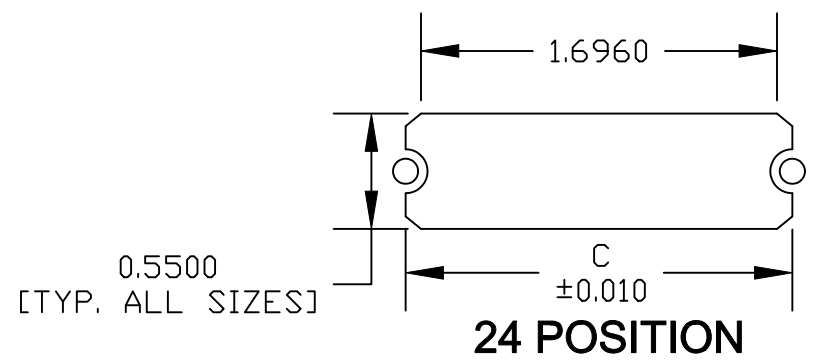
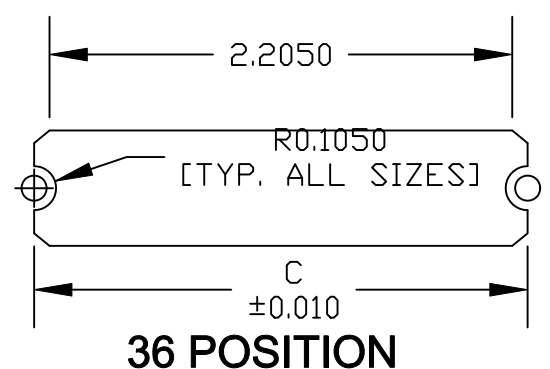
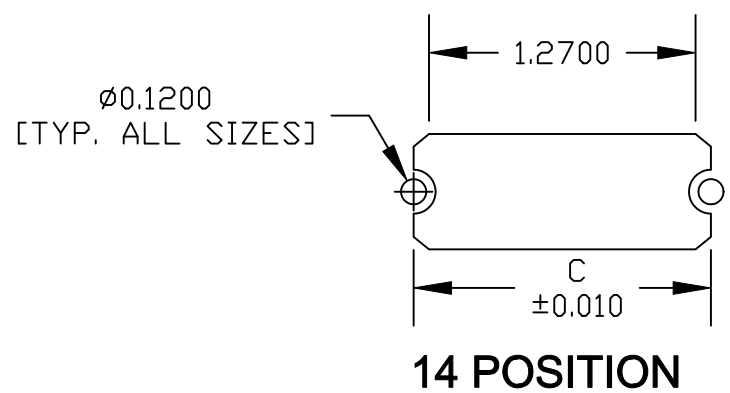
ELECTRICALS:

CONTACT CURRENT RATING: 1 AMP
DIELECTRIC WITHSTANDING VOLTAGE: AC 1200 R.M.S.
INSULATION RESISTANCE: 1000 mohms MINIMUM AT 500V DC
CONTACT RESISTANCE: 30 mOHMS MAXIMUM
OPERATING TEMPERATURE: -55°C TO +125°C

	THESE DRAWINGS AND SPECIFICATIONS ARE THE PROPERTY OF NorComp AND SHALL NOT BE REPRODUCED, COPIED OR USED AS THE BASIS FOR THE MANUFACTURE OF APPARATUS WITHOUT WRITTEN PERMISSION.		DRAWN: WAYNE ROBBINS	DATE: 7-12-05
	<h1>NorComp</h1>		CHECKED:	DATE:
SCALE: 1:1			SHEET 1	OF 2
DWG NO.			112-YYY-113R001	

DESCRIPTION: 0.085 RIBBON - BOARD CUTOUT

	014	024	036	050
C	1.417	1.843	2.352	2.947
	36.00	46.80	59.74	74.85



NOTE DIMENSION "C" =
 CENTER TO CENTER OF MOUNTING HOLES
 CENTER OF RADI
 OVERALL LENGTH OF CUTOUT

DO NOT SCALE FROM DRAWING

	THESE DRAWINGS AND SPECIFICATIONS ARE THE PROPERTY OF NorComp AND SHALL NOT BE REPRODUCED, COPIED OR USED AS THE BASIS FOR THE MANUFACTURE OF SALE OF APPARATUS WITHOUT WRITTEN PERMISSION.		DRAWN: M. SIGMON	DATE: 01-14-11
			CHECKED:	DATE:
NorComp		SCALE: NONE	SHEET 2	OF 2
		DWG NO. 112-YYY-113R001		

RoHS COMPLIANT