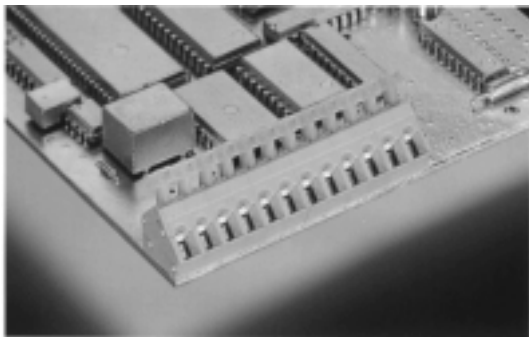


# ED3001/X-KD



1-n poles, Spacing 5.0 mm adjustable to 5.08 mm  
insert required no. of poles **X**  
How to order see page 5



## Ratings:

Rated Voltage	300 V	250 V
Rated Current	16 A	24 A (T60)
Wire Size	AWG 28-14	2.5 mm <sup>2</sup>
Test Voltage		2.0 kV

## Max. Rated Cross Section

Single Wire (solid)	2.5 mm <sup>2</sup>
Stranded Wire (flexible)	2.5 mm <sup>2</sup>
Stranded wire with Ferrules	1.5 mm <sup>2</sup>

## Dimensions

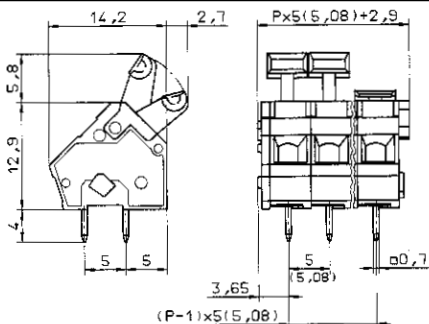
Spacing	5.0 mm (5.08 mm)
PCB Hole Diameter	1.0 mm (2x)
Stripped Length	6.0 mm

## Materials

Insulating Material	PA
Flammability Class	UL94 V-0
Temperature Range	-30°C/+105°C
Contact Pin	Cu

## Color

Slade Grey



**P = No. of poles**