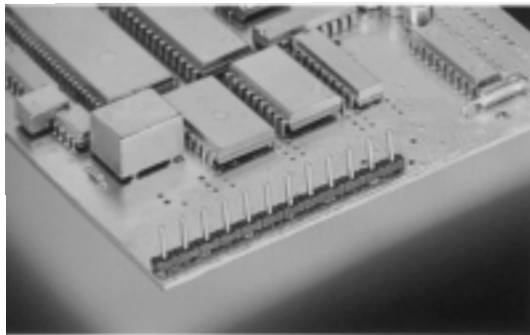


EDSTL132/X



2-24 poles, Spacing 5.0 mm
insert required no. of poles **X**
How to order see page 5



Ratings:

Rated Voltage	300 V	250 V
Rated Current	10 A	10 A (T55)
Rating Impulse Voltage/Dirt Level		4 kV/3

Dimensions

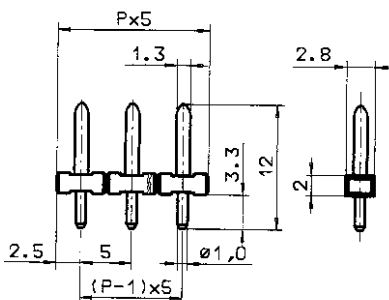
Spacing	5.0 mm
PCB Hole Diameter	1.2 mm

Materials

Insulating Material	PA
Flammability Class	UL94 V-0
Temperature Range	-30°C/+105°C
Contact Pin	CuZn

Color

Black



P = No. of poles