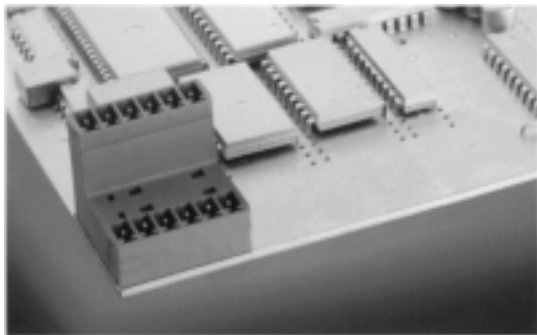


EDSTLZ1575/X



2-20 poles, Spacing 3.81 mm
insert required no. of poles \times
How to order see page 5



Ratings:

Rated Voltage	300 V	160 V
Rated Current	8 A	9 A (T60)
Rating Impulse Voltage/Dirt Level		4 kV/3

Dimensions

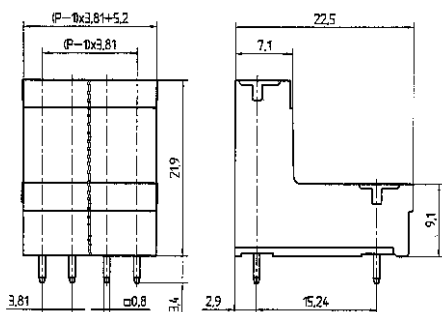
Spacing	3.81 mm
PCB Hole Diameter	1.2 mm

Materials

Insulating Material	PBTP
Flammability Class	UL94 V-0
Temperature Range	-30°C/+105°C
Contact Pin	Cu

Color

Green



P = No. of poles