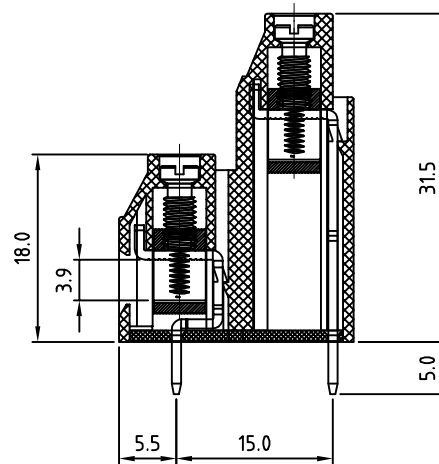
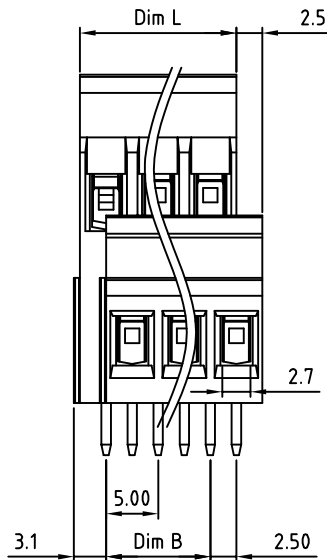
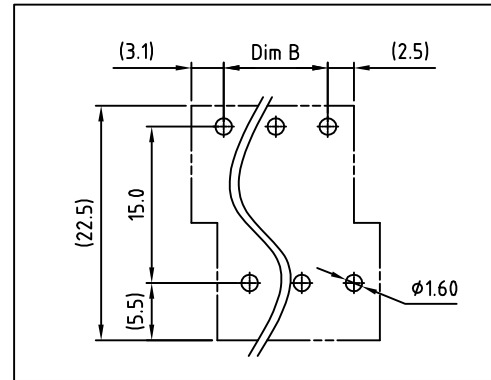
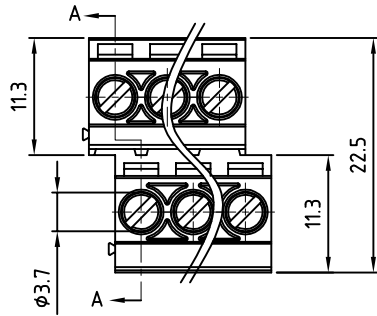


SIGN	DATE	DESCRIPTION	APPROVER
△			

THIS IS CAD DRAWING, DO NOT REVISE MANUALLY!!!



Material

- Terminal body(metal housing): Brass(CuZn)
- Terminal screw: Steel Zinc plating "-" slot type
- Contacts: Brass, Tin plated
- Insulator (Cover): Thermoplastic (UL94V-0)
- Insulator (Body): Thermoplastic (UL94V-0)

Electrical

- Voltage rating: 300VAC
- Current rating: 20A
- Wire range:
 - Solid wire(AWG): 12-22
 - Stranded wire(AWG): 12-22
- Torque(Lb-In): 4.3
- Screw: M3
- Wire strip length: 6-7mm
- Withstanding Voltage: 1.6KV
- Operating temperature: -30°C to +105°C
- Soldering temperature: 250°C±10°C/5 Sec
- Safety Approval: US

RoHS Compliant

PART NUMBER

OSTEBXX0150

- | | |
|--------------|---------------------|
| No. of Poles | COLOR: |
| 04: 4 Poles | 0: Black |
| 06: 6 Poles | 5: Green (Standard) |
| | 6: Blue |
| 48: 48 Poles | 8: Grey |

THESE DRAWINGS AND SPECIFICATIONS ARE THE PROPERTY OF ON-SHORE TECHNOLOGY, INC. AND SHALL NOT BE REPRODUCED, COPIED OR USED IN ANY MANNER WITHOUT THE PRIOR WRITTEN CONSENT OF ON-SHORE TECHNOLOGY, INC.

Poles	2x2	2x3	2x4	2x5	2x6	2x7	2x8	2x9	2x10	2x11	2x12	2x13	
Dim L	10.00	15.00	20.00	25.00	30.00	35.00	40.00	45.00	50.00	55.00	60.00	65.00	
Dim B	5.00	10.00	15.00	20.00	25.00	30.00	35.00	40.00	45.00	50.00	55.00	60.00	
TOL	±0.15				±0.20							±0.25	
Poles	2x14	2x15	2x16	2x17	2x18	2x19	2x20	2x21	2x22	2x23	2x24		
Dim L	70.00	75.00	80.00	85.00	90.00	95.00	100.0	105.0	110.0	115.0	120.0		
Dim B	65.00	70.00	75.00	80.00	85.00	90.00	95.00	100.0	105.0	110.0	115.0		
TOL	±0.25				±0.30								

OST ON-SHORE TECHNOLOGY, INC.

TITLE		OSTEB 5.0mm Series With cover type		
PART NO.	OSTEBXX0150	DWG NO.	OSTEBXX0150 .DWG	
APPROVED	CHECKED	DESIGNED	DRAWN	CUST NO.
	Marvin 2007.08.11	Marvin 2007.08.06	Marvin 2007.08.06	
				UNIT: mm
				SCALE: NONE
			SHEET: 01/03	Tolerance X. ±0.50 X.X ±0.30 X.XX ±0.10 X° ±1°