


|      |      |  |          |
|------|------|--|----------|
| SIGN | DATE | DESCRIPTION                                    | APPROVER |
|      |      | THIS IS CAD DRAWING, DO NOT REVISE MANUALLY!!! |          |

**Material**

- Insulating cover: Thermoplastic ( UL94V-0 )
- Insulating body: Thermoplastic ( UL94V-0 )
- Terminal screw :Steel Cr3+ Zinc plating "-" slot type
- Contant: Brass, Tin plated
- Terminal body :Steel stamping, Zinc plating

**Electrical**

- Voltage rating: 300VAC
- Current rating: 10A
- Wire range:  
Solid wire(AWG): 12-22  
Stranded wire(AWG): 12-22
- Torque(Lb-In): 3.5
- Screw: M2.5
- Wire strip length: 6-7mm
- Withstanding Voltage: 1.6KV
- Operating temperature: -30°C to +105°C
- Soldering temperature: 250°C±10°C/5 Sec
- Safety Approval: 

RoHS Compliant

**PART NUMBER**

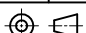
**OSTEQXX0580**

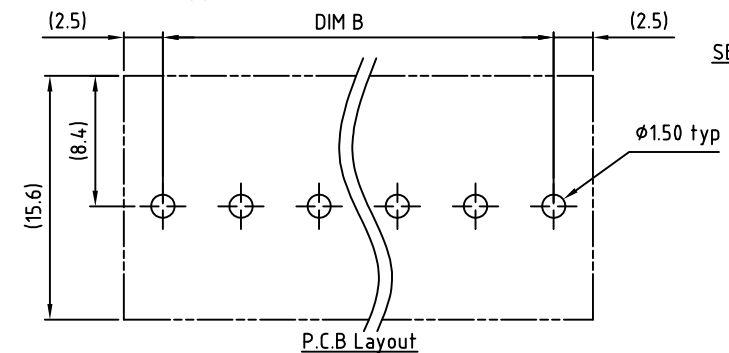
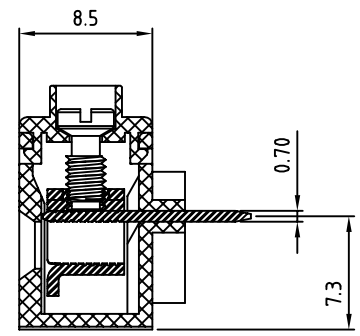
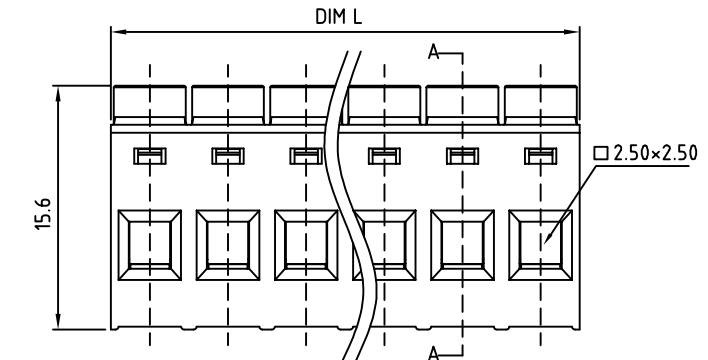
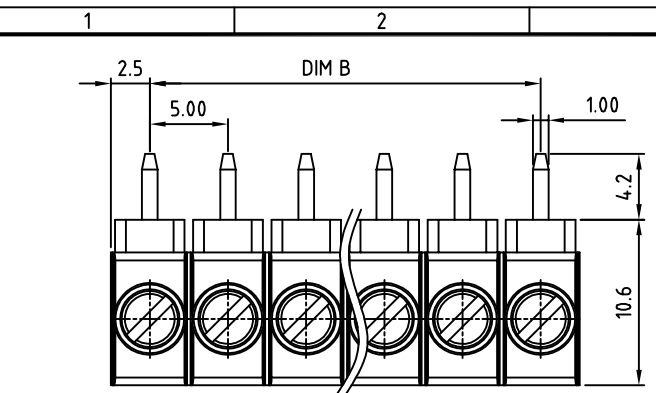
No. of Poles  
02 02 Poles  
03 03 Poles  
...  
24 24 Poles

COLOR  
0: Black  
5: Green  
6: Blue  
8: Grey (Standard)

THESE DRAWINGS AND SPECIFICATIONS ARE THE PROPERTY OF ON-SHORE TECHNOLOGY, INC. AND SHALL NOT BE REPRODUCED, COPIED OR USED IN ANY MANNER WITHOUT THE PRIOR WRITTEN CONSENT OF ON-SHORE TECHNOLOGY, INC.



|          |                      |  |                     |   |   |
|----------|----------------------|--|---------------------|---|---|
| TITLE    |                      | OSTEQ 5.0 Series 90 Degree Wire inlet (Vertical) |                     |   |   |
| PART NO. | OSTEQXX0580          | DWG NO.  | OSTEQXX0580.DWG     |   |   |
| APPROVED | CHECKED              | DESIGNED   | DRAWN               | CUST NO.  | Tolerance                                     |
|          | Marvin<br>2007.03.31 | Aaron<br>2006.09.28                              | Aaron<br>2006.09.28 |  | X. ±0.50<br>X.X ±0.30<br>X.XX ±0.10<br>X* ±1* |
|          |                      |  |                     | SHEET: 01/01  | UNIT: mm<br>SCALE: NONE<br>REV: B             |



|       |       |       |       |       |       |       |       |       |       |       |       |       |
|-------|-------|-------|-------|-------|-------|-------|-------|-------|-------|-------|-------|-------|
| Poles | 02    | 03    | 04    | 05    | 06    | 07    | 08    | 09    | 10    | 11    | 12    | 13    |
| Dim L | 10.00 | 15.00 | 20.00 | 25.00 | 30.00 | 35.00 | 40.00 | 45.00 | 50.00 | 55.00 | 60.00 | 65.00 |
| Dim B | 5.00  | 10.00 | 15.00 | 20.00 | 25.00 | 30.00 | 35.00 | 40.00 | 45.00 | 50.00 | 55.00 | 60.00 |
| TOL   | ±0.15 |       |       |       | ±0.20 |       |       |       | ±0.25 |       |       |       |
| Poles | 14    | 15    | 16    | 17    | 18    | 19    | 20    | 21    | 22    | 23    | 24    |       |
| Dim L | 70.00 | 75.00 | 80.00 | 85.00 | 90.00 | 95.00 | 100.0 | 105.0 | 110.0 | 115.0 | 120.0 |       |
| Dim B | 65.00 | 70.00 | 75.00 | 80.00 | 85.00 | 90.00 | 95.00 | 100.0 | 105.0 | 110.0 | 115.0 |       |
| TOL   | ±0.25 |       |       |       | ±0.30 |       |       |       |       |       |       |       |