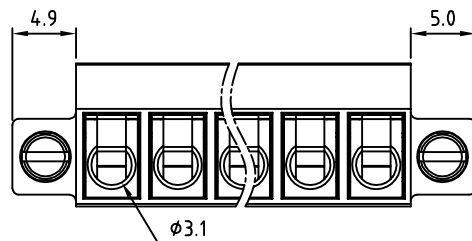
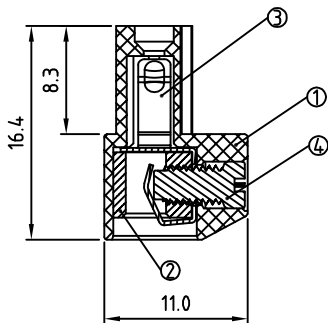
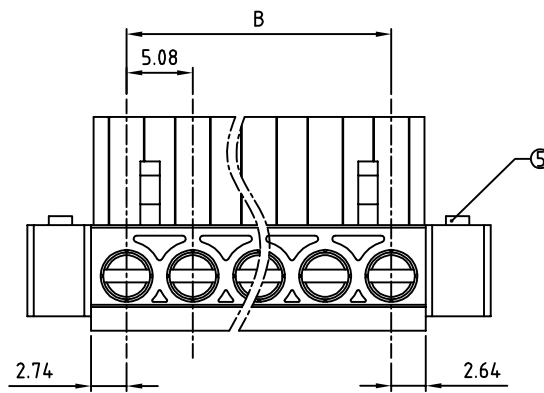
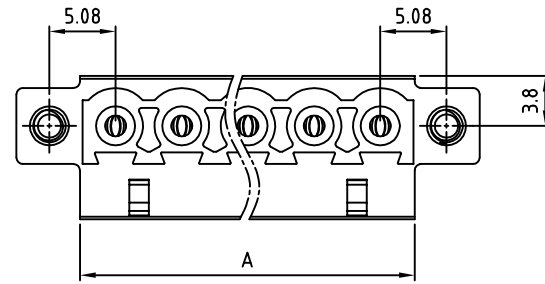


SIGN	DATE	DESCRIPTION	APPROVER
△			

THIS IS CAD DRAWING, DO NOT REVISE MANUALLY!!!



- Material:
- Item ① Insulator(housing): Thermoplastic (UL94V-0)
  - Item ② Terminal Body: Brass
  - Item ③ Wire guard: PhBz
  - Item ④ Terminal Screw: Steel zinc plated.
  - Item ⑤ With flange screw: M2.5 Steel Zinc plated.

- Electrical: UL
- Voltage rating: 300 V
  - Current rating: 15 A
  - Wire range:
    - Solid wire(AWG): 12-22
    - Stranded wire(AWG): 12-22
  - Torque: 4.3 Lbs.-In
  - Screw: M3
  - Wire strip length: 5 mm
  - Withstanding Voltage: 1.6KV
  - Operating temperature: -40°C to +115°C

RoHS Compliant

PART NUMBER:

OSTEZXX5152

- |              |                     |
|--------------|---------------------|
| No. of Poles | COLOR               |
| 02 2 Poles   | 0: Black            |
| 03 3 Poles   | 5: Green (Standard) |
| ... ..       | 6: Blue             |
| 24 24 Poles  | 8: Grey             |

THESE DRAWINGS AND SPECIFICATIONS ARE THE PROPERTY OF ON-SHORE TECHNOLOGY, INC. AND SHALL NOT BE REPRODUCED, COPIED OR USED IN ANY MANNER WITHOUT THE PRIOR WRITTEN CONSENT OF ON-SHORE TECHNOLOGY, INC.

POLE		2	3	4	5	6	7	8	9	10	11	12
A		10.46	15.54	20.62	25.70	30.78	35.86	40.94	46.02	51.10	56.18	61.26
B		5.08	10.16	15.24	20.32	25.40	30.48	35.56	40.64	45.72	50.80	55.88
Tol.		±0.15					±0.20					
POLE	13	14	15	16	17	18	19	20	21	22	23	24
A	66.34	71.42	76.50	81.58	86.66	91.74	96.82	101.90	106.98	112.06	117.14	122.22
B	60.96	66.04	71.12	76.20	81.28	86.36	91.44	96.52	101.60	106.68	111.76	116.84
Tol.		±0.25					±0.30					



TITLE	OSTEZ-5.08 w/Flange Series												
PART NO.	OSTEZXX5152						DWG NO.	OSTEZXX5152.DWG					
APPROVED	CHECKED	DESIGNED	DRAWN	CUST NO.									
		Tony 2007.07.12	Tony 2007.07.12										
					UNIT: mm	Tolerance							
					SCALE: NONE	X.	±0.50						
				SHEET: 01/01	REV: B	X.X	±0.30						
						X.XX	±0.10						
						X°	±1°						