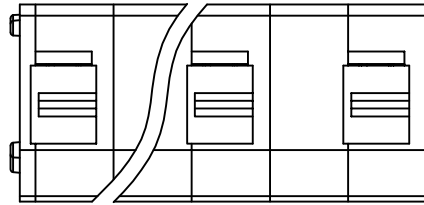
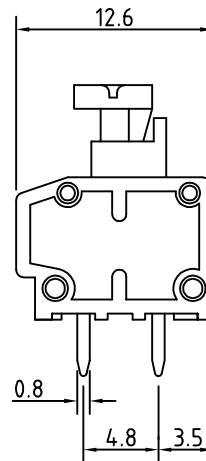
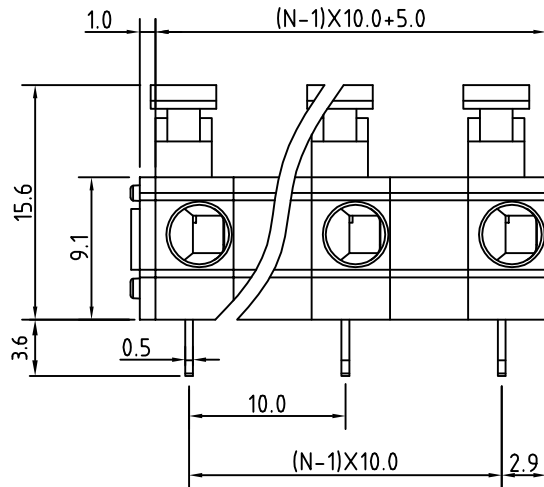


| | | | |
|------|------|-------------|----------|
| SIGN | DATE | DESCRIPTION | APPROVER |
| | | | |

THIS IS CAD DRAWING, DO NOT REVISE MANUALLY!!!




N=Number of contacts



Material

- Terminal body (Contact pin): Brass
- Wire guard: Stainless steel
- Surface of solder tail: Tin plated
- Insulator (housing): Thermoplastic (UL94V-0)

Electrical cULus

- Voltage rating: 300VAC
- Current rating: 10A
- Wire range:
 - Solid wire(AWG): 14-20
 - Stranded wire(AWG): 14-20
- Wire strip length: 6-7mm
- Withstanding Voltage: 1.6KV
- Operating temperature: -30°C to +105°C
- Soldering temperature: 250°C±10°C/5 Sec
- Safety Approval: 

RoHS Compliant

PART NUMBER:

OSTHBXX1180

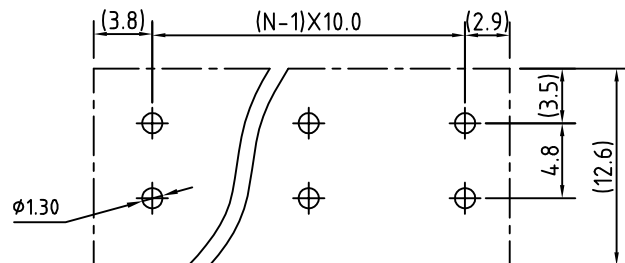
No. of Poles

- 02: 2 Poles
- 03: 3 Poles
-
- 12: 12 Poles

COLOR

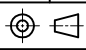
- 0: Black
- 5: Green
- 6: Blue
- 8: Grey (Standard)

P.C.B. LAYOUT



THESE DRAWINGS AND SPECIFICATIONS ARE THE PROPERTY OF ON-SHORE TECHNOLOGY, INC. AND SHALL NOT BE REPRODUCED, COPIED OR USED IN ANY MANNER WITHOUT THE PRIOR WRITTEN CONSENT OF ON-SHORE TECHNOLOGY, INC.



| | | | | | | |
|-----------------------|----------------------|-----------------------------------|----------------------|---|-------------|--|
| TITLE | | OSTHB - 10.0mm series single wire | | | | |
| PART NO. | OSTHBXX1180 | DWG NO. | OSTHBXX1180.DWG | | | |
| APPROVED | CHECKED | DESIGNED | DRAWN | CUST NO. | Tolerance | |
| Shi Jun 2006.11.01 | Marvin 2006.11.01 | Marvin 2006.11.01 | Marvin 2006.11.01 | | X. ±0.50 | |
| | | | |  | UNIT: mm | |
| | | | | | SCALE: NONE | |
| | | | | SHEET: 01/01 | REV: E | |
| | | | | | X.X ±0.30 | |
| | | | | | X.XX ±0.10 | |
| | | | | | X° ±1° | |