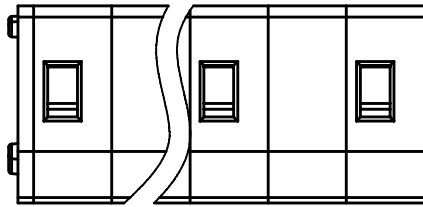


SIGN	DATE	DESCRIPTION	APPROVER


THIS IS CAD DRAWING, DO NOT REVISE MANUALLY!!!



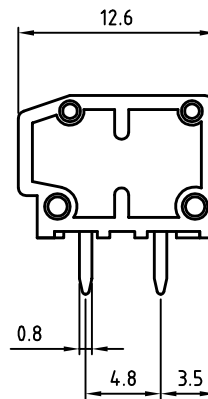
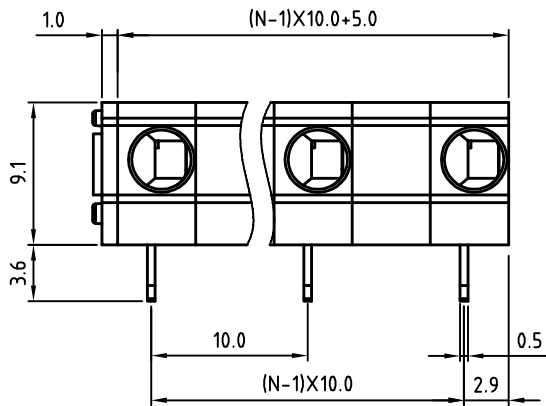
**Material**

- Terminal body (Contact pin): Brass
- Wire guard: Stainless steel
- Surface of solder tail: Tin plated
- Insulator (housing): Thermoplastic (UL94V-0)

**Electrical cULus**

- Voltage rating: 300VAC
- Current rating: 10A
- Wire range:
  - Solid wire(AWG): 14-20
  - Stranded wire(AWG): 14-20
- Wire strip length: 6-7mm
- Withstanding Voltage: 1.6KV
- Operating temperature: -30°C to +105°C
- Soldering temperature: 250°C±10°C/5 Sec
- Safety Approval: 

RoHS Compliant



N=NUMBER OF CONTACTS

**PART NUMBER**

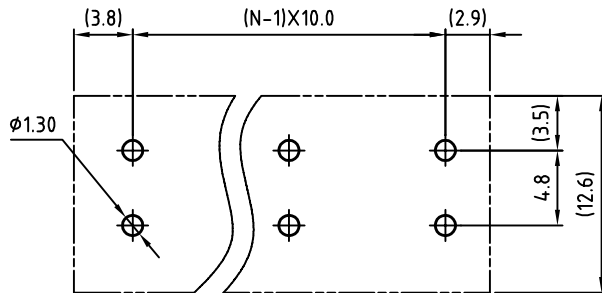
OSTHBXX1181

No. of Poles

- 02 2 Poles
- 03 3 Poles
- ..
- 12 12 Poles

COLOR

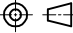
- 0: Black
- 5: Green
- 6: Blue
- 8: Grey (Standard)



P.C.B. LAYOUT

THESE DRAWINGS AND SPECIFICATIONS ARE THE PROPERTY OF ON-SHORE TECHNOLOGY, INC. AND SHALL NOT BE REPRODUCED, COPIED OR USED IN ANY MANNER WITHOUT THE PRIOR WRITTEN CONSENT OF ON-SHORE TECHNOLOGY, INC.



TITLE		OSTHB - 10.0mm series single wire w/o lever					
PART NO.	OSTHBXX1181	DWG NO.	OSTHBXX1181.DWG				
APPROVED	CHECKED	DESIGNED	DRAWN	CUST NO.	Tolerance		
Shi Jun 2006.11.01	Marvin 2006.11.01	Marvin 2006.11.01	Marvin 2006.11.01		UNIT: mm	X. ±0.50	
				SHEET: 01/01	SCALE: NONE	X.X ±0.30	
				REV: D		X.XX ±0.10	
						X° ±1°	