



SIGN	DATE	DESCRIPTION	APPROVER
<i>THIS IS CAD DRAWING, DO NOT REVISE MANUALLY!!!</i>			

**Material**

- Terminal body(Contact pin) : PhBz
- Surface of solder tail : Tin plated
- Insulator (housing): Thermoplastic (UL94V-0)

**Electrical cULus/VDE**

- Voltage rating: 300VAC/250VAC
- Current rating: 6A/6A
- Wire range: 0.5-0.75mm<sup>2</sup>  
Solid wire(AWG): 16-20  
Stranded wire(AWG): 16-20
- Wire strip length: 6-7mm
- Withstanding Voltage: 1.6KV/2KV
- Operating temperature: -30°C to +105°C
- Soldering temperature: 250°C±10°C/5 Sec
- Safety Approval:  

RoHS Compliant

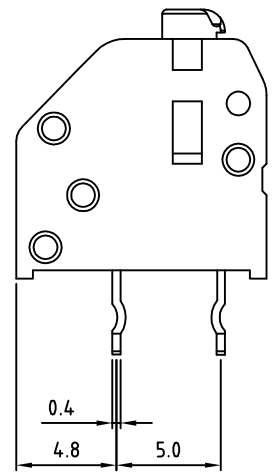
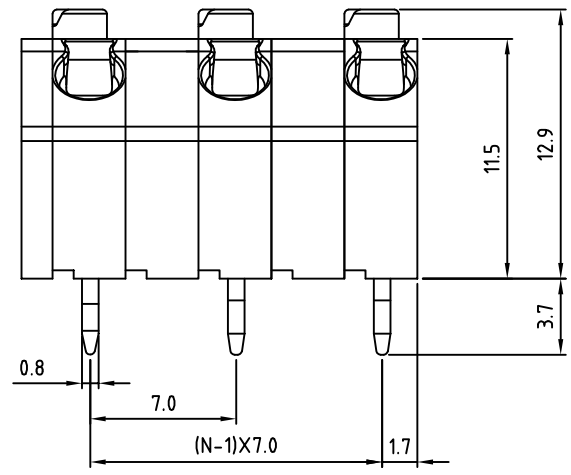
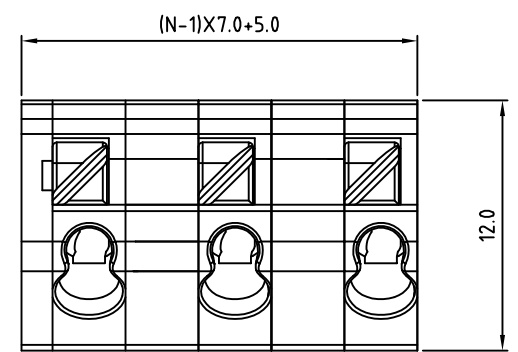
**PART NUMBER**

**OSTHCXX1080**

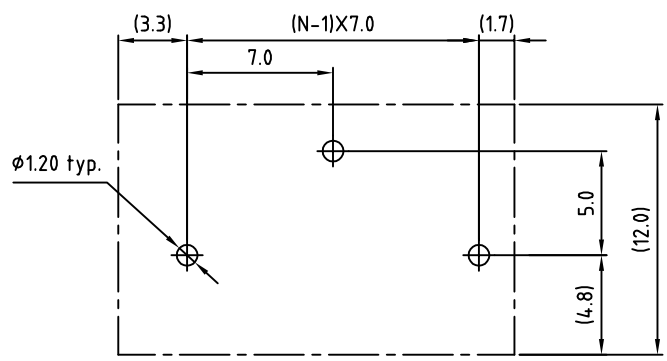
- No. of Poles
- 02 2 Poles
  - 03 3 Poles
  - ::
  - 10 10 Poles

**COLOR**

- 2: Red
- 3: Orange
- 5: Green
- 8: Grey (Standard)



N=Number of poles



**P.C.B. LAYOUT**

THESE DRAWINGS AND SPECIFICATIONS ARE THE PROPERTY OF ON-SHORE TECHNOLOGY, INC. AND SHALL NOT BE REPRODUCED, COPIED OR USED IN ANY MANNER WITHOUT THE PRIOR WRITTEN CONSENT OF ON-SHORE TECHNOLOGY, INC.



TITLE		OSTHC - 7.0mm Series		DWG NO.		OSTHCXX1080.DWG	
PART NO.		OSTHCXX1080		CUST NO.			
APPROVED	CHECKED	DESIGNED	DRAWN	Tolerance			
		Aaron 2007.01.27	Aaron 2007.01.27	UNIT: mm		X. ±0.50	
				SCALE: NONE		X.X ±0.30	
				SHEET: 01/01		X.XX ±0.10	
				REV: D		X° ±1°	