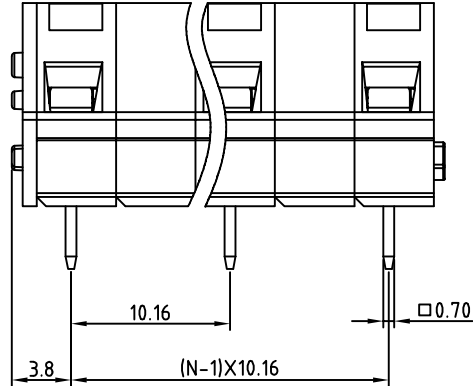
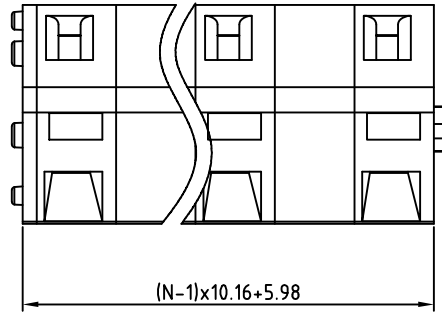
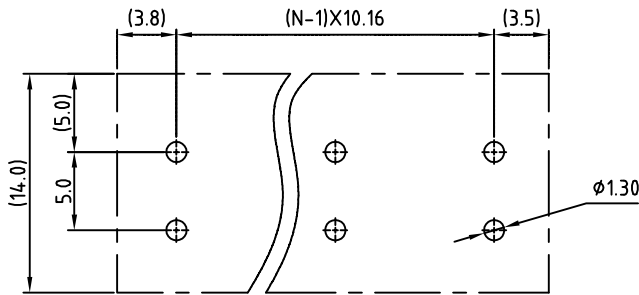
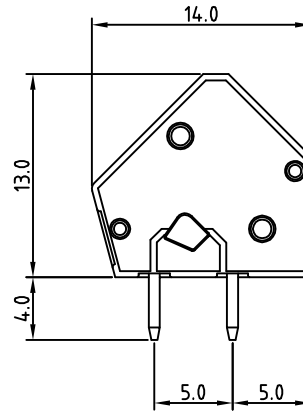


SIGN	DATE	DESCRIPTION	APPROVER

THIS IS CAD DRAWING, DO NOT REVISE MANUALLY!!!



N=Number of contacts



RECOMMENDED PCB. LAYOUT

Material

- Terminal body (Contact pin): Brass
- Wire guard: Stainless steel
- Surface of solder tail: Tin plated
- Insulator (housing): Thermoplastic (UL94V-0)

Electrical

- Voltage rating: 300VAC
- Current rating: 15A
- Wire range:
  - Solid wire(AWG): 12-28
  - Stranded wire(AWG): 12-28
- Wire strip length: 6-7mm
- Withstanding Voltage: 1.6KV
- Operating temperature: -30°C to +105°C
- Soldering temperature: 250°C±10°C/5 Sec
- Safety approval: (CULUS) Pending

RoHS Compliant

PART NUMBER:

OSTHGXX4080

- 01 1 Contact(basic block)
- 02 2 contacts
- etc. available in 1-24 contacts

COLOR:

- 0: Black
- 5: Green
- 6: Blue
- 8: Grey (Standard)



TITLE		OSTHG 10.16mm Series				
PART NO.	OSTHGXX4080	DWG NO.	OSTHGXX4080.DWG			
APPROVED	CHECKED	DESIGNED	DRAWN	CUST NO.	Tolerance	
Shi jun 2006.11.01	Marvin 2006.11.01	Marvin 2006.11.01	Marvin 2006.11.01		X.	±0.50
					X.X	±0.30
					X.XX	±0.10
					X°	±1°
				SHEET: 01/01	UNIT: mm	
					SCALE: NONE	
					REV: D	