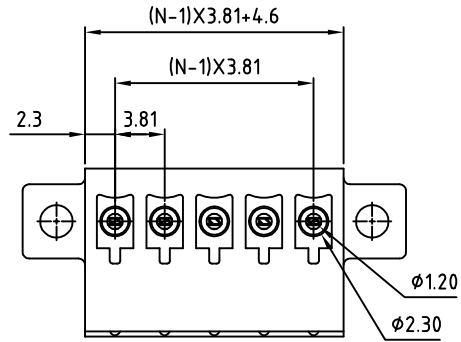


SIGN	DATE	DESCRIPTION	APPROVER

THIS IS CAD DRAWING, DO NOT REVISE MANUALLY!!!



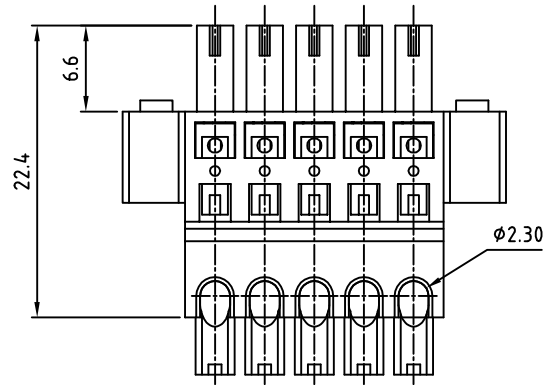
Material

- Wire guard: PhBz
- With flange screw: steel M2.5 plated zinc
- Insulator (housing): Thermoplastic (UL94V-0)

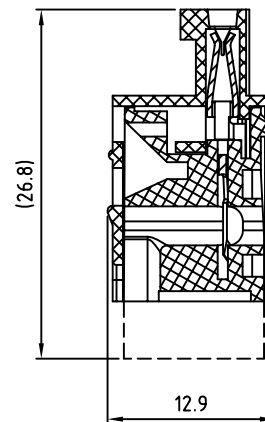
Electrical

- Voltage rating: 160VAC
- Current rating: 6A
- Wire range:
 - Solid wire(AWG): 20-22
 - Stranded wire(AWG): 20-22
- Withstanding Voltage: 1.3KV
- Operating temperature: -30°C to +105°C

RoHS Compliant



N=Number of contacts



PART NUMBER:

OSTHPXX3052

No. of Poles
02: 2 Poles
:
:
24: 24 Poles

COLOR
0: Black
5: Green (Standard)
6: Blue
8: Grey



THESE DRAWINGS AND SPECIFICATIONS ARE THE PROPERTY OF ON-SHORE TECHNOLOGY, INC. AND SHALL NOT BE REPRODUCED, COPIED OR USED IN ANY MANNER WITHOUT THE PRIOR WRITTEN CONSENT OF ON-SHORE TECHNOLOGY, INC.

TITLE		OSTHP 3.81 Series with flange				
PART NO.	OSTHPXX3052	DWG NO.	OSTHPXX3052.DWG			
APPROVED	CHECKED	DESIGNED	DRAWN	CUST NO.	Tolerance	
Shi Jun 2006.11.13	Marvin 2006.11.13	Marvin 2006.11.13	Marvin 2006.11.13		X. ±0.50	
					UNIT: mm	X.X ±0.30
				SHEET: 01/01	SCALE: NONE	X.XX ±0.10
				REV.: C	X° ±1°	