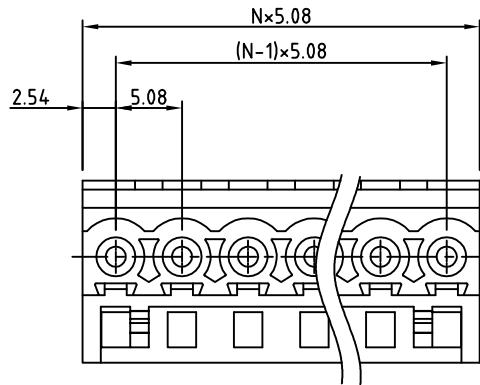


SIGN	DATE	DESCRIPTION	APPROVER
△	2009.01.21	AWG changed from 20-22 to 18-22AWG(Str/sol)	Lee
△	2009.01.21	CUL approval added	Lee



POLE	TOL
2 pole~5 pole	±0.05
6 pole~8 pole	±0.10
9 pole~12 pole	±0.20

MATERIAL

- Terminal Body(Contact pin): PhBz
- Insulator (housing): Thermoplastic(UL94V-0)

ELECTRICAL

- Voltage rating: 300V
- Current rating: 7A
- △ ● Wire range:
 - Solid wire(AWG): 18-22
 - Stranded wire(AWG): 18-22
- Wire strip length:
- Withstanding Voltage: 1.6KV
- Operating temperature: -30°C to +105°C
- △ ● Safety Approval: us

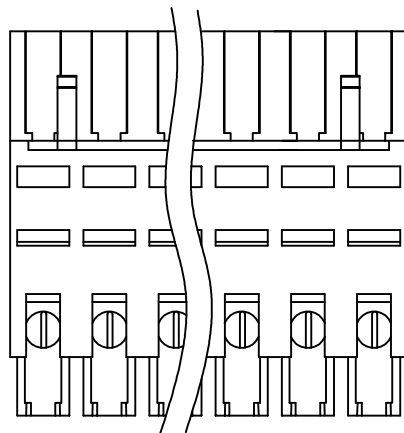
RoHS Compliant

PART NUMBER:

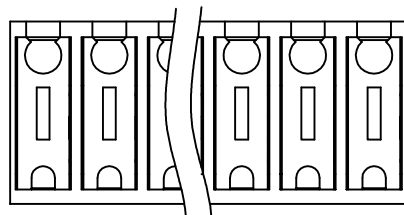
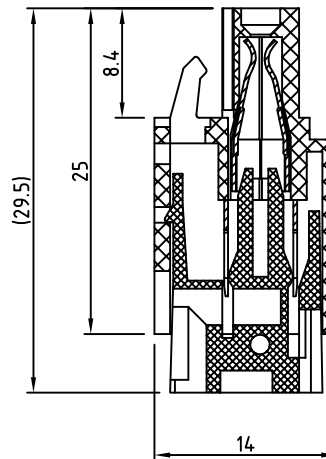
OSTHPXX5050

No. of Poles
02: 2 Poles
:
:
24: 24 Poles

COLOR
0: Black
5: Green (Standard)
6: Blue
8: Grey



N=Number of poles



THESE DRAWINGS AND SPECIFICATIONS ARE THE PROPERTY OF ON-SHORE TECHNOLOGY, INC. AND SHALL NOT BE REPRODUCED, COPIED OR USED IN ANY MANNER WITHOUT THE PRIOR WRITTEN CONSENT OF ON-SHORE TECHNOLOGY, INC.



TITLE		OSTHP 5.08mm Series without flange				
PART NO.	OSTHPXX5050	DWG NO.	OSTHPXX5050.DWG			
APPROVED	CHECKED	DESIGNED	DRAWN	CUST NO.	Tolerance	
Shi Jun 2006.11.13	Marvin 2006.11.13	Marvin 2006.11.13	Marvin 2006.11.13		UNIT: mm	X. ±0.50
				SHEET: 01/01	SCALE: NONE	X.X ±0.30
					REV: D	X.XX ±0.10
						X° ±1°