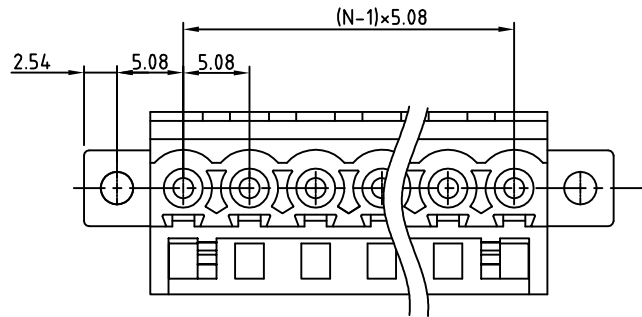
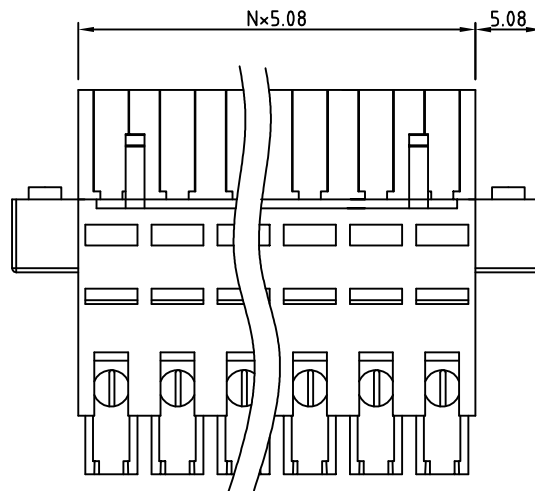


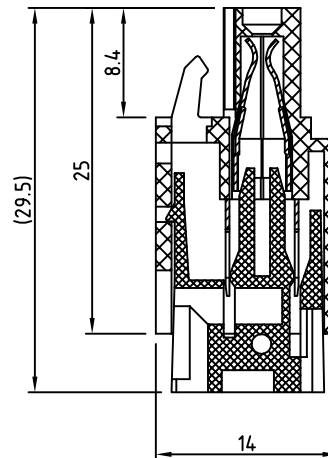
SIGN	DATE	DESCRIPTION	APPROVER
△	2009.01.21	AWG changed from 20-22 to 18-22AWG(Str/sol)	Lee
△	2009.01.21	CUL approval added	Lee



POLE	TOL
2 pole~5 pole	±0.05
6 pole~8 pole	±0.10
9 pole~12 pole	±0.20



N=Number of poles



- MATERIAL**
- Terminal Body(Contact pin): PhBz
  - With flange screw: steel M2.5 plated zinc
  - Insulator (housing): Thermoplastic(UL94V-0)

- ELECTRICAL**
- Voltage rating: 300V
  - Current rating: 8A
  - △ ● Wire range:
    - Solid wire(AWG): 18-22
    - Stranded wire(AWG): 18-22
  - Wire strip length:
  - Withstanding Voltage: 1.6KV
  - Operating temperature: -30°C to +105°C
  - △ ● Safety approval: US

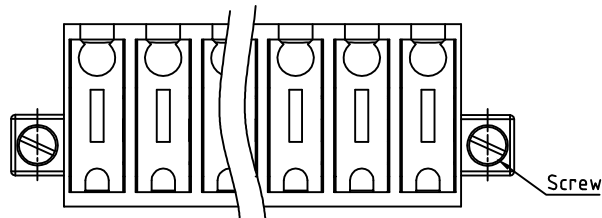
RoHS Compliant

PART NUMBER:

**OSTHPXX5052**

No. of Poles  
02: 2 Poles  
:  
:  
12: 12 Poles

COLOR  
0: Black  
5: Green (Standard)  
6: Blue  
8: Grey



THESE DRAWINGS AND SPECIFICATIONS ARE THE PROPERTY OF ON-SHORE TECHNOLOGY, INC. AND SHALL NOT BE REPRODUCED, COPIED OR USED IN ANY MANNER WITHOUT THE PRIOR WRITTEN CONSENT OF ON-SHORE TECHNOLOGY, INC.



ON-SHORE TECHNOLOGY, INC.

TITLE		OSTHP 5.08mm Series with flange	
PART NO.	OSTHPXX5052	DWG NO.	OSTHPXX5052.DWG
APPROVED	CHECKED	DESIGNED	DRAWN
Shi Jun 2006.11.13	Marvin 2006.11.13	Marvin 2006.11.13	Marvin 2006.11.13
CUST NO.		Tolerance	
		UNIT: mm	X. ±0.50
		SCALE: NONE	X.X ±0.30
SHEET: 01/01		REV: D	X.XX ±0.10
			X° ±1°