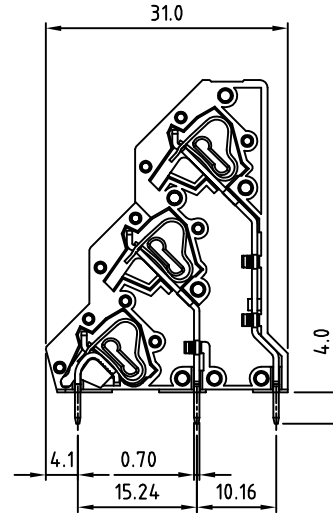
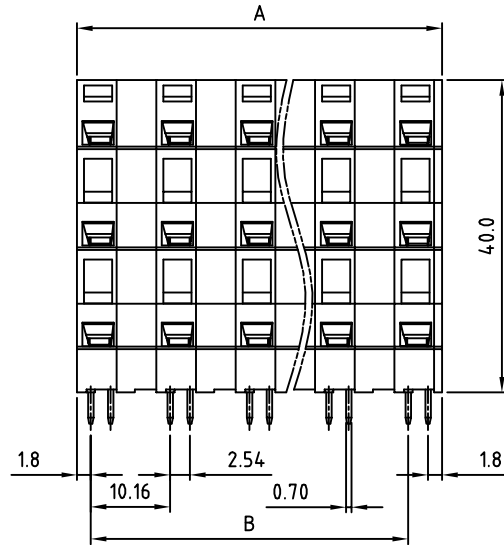


SIGN	DATE	DESCRIPTION	APPROVER

THIS IS CAD DRAWING, DO NOT REVISE MANUALLY!!!



- Material:
- Terminal body
  - (Contact pin): Brass
  - Wire guard: Stainless steel
  - Surface of solder tail: Tin plated
  - Insulator(housing): Thermoplastic (UL94V-0)

- Electrical: cULus
- Voltage rating: 300V
  - Current rating: 10A
  - Wire range:
    - Solid wire(AWG): 12-28
    - Stranded wire(AWG): 12-28
  - Wire strip length: 6-7mm
  - Withstanding Voltage: 1.6KV
  - Operating temperature: -30°C to +105°C
  - Soldering temperature: 250°C±10°C/5 Sec

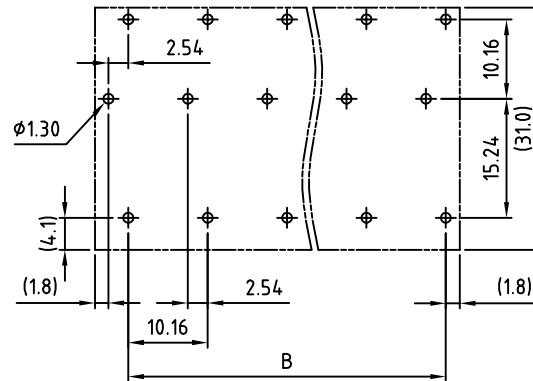
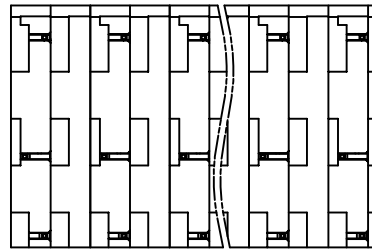
RoHS Compliant

PART NUMBER:

OSTHRXX4081

- No. of Poles
- 06: 3x2 POLES
  - 09: 3x3 POLES
  - 33: 3x11POLES
  - 36: 3x12 POLES

- COLOR
- 0: BLACK
  - 5: Green
  - 6: Blue
  - 8: Grey (Standard)



PCB Layout

THESE DRAWINGS AND SPECIFICATIONS ARE THE PROPERTY OF ON-SHORE TECHNOLOGY, INC. AND SHALL NOT BE REPRODUCED, COPIED OR USED IN ANY MANNER WITHOUT THE PRIOR WRITTEN CONSENT OF ON-SHORE TECHNOLOGY, INC.



POLE	2	3	4	5	6	7	8	9	10	11	12
A	16.24	26.40	36.56	46.72	56.88	67.04	77.20	87.36	97.52	107.68	117.84
B	10.16	20.32	30.48	40.64	50.80	60.96	71.12	81.28	91.44	101.60	111.76
Tol.	±0.15						±0.30				

TITLE	OSTHR 10.16mm Series (Solder pins staggered by half the pin spacing)										
PART NO.	OSTHRXX4081					DWG NO.	OSTHRXX4081.DWG				
APPROVED	CHECKED	DESIGNED	DRAWN	CUST NO.							
		Tony 2007.11.19	Tony 2007.11.19								
							UNIT: mm	Tolerance			
					SHEET: 01/01		SCALE: NONE	X.	±0.50		
							REV.: C	X.X	±0.30		
								X.XX	±0.10		
								X°	±1°		