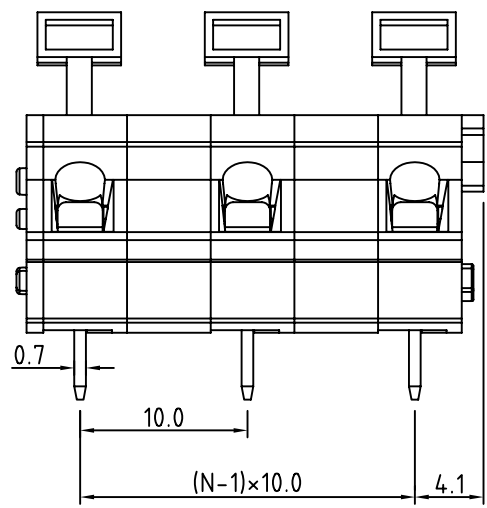
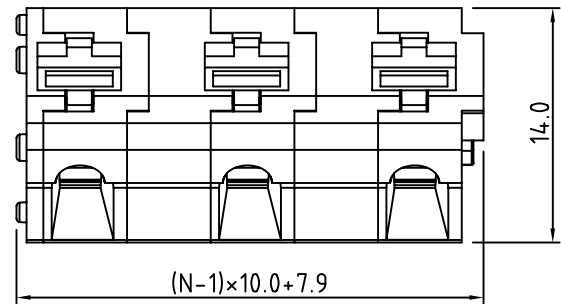
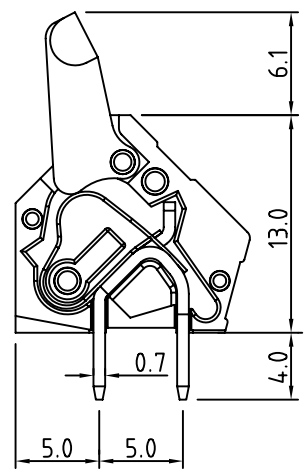
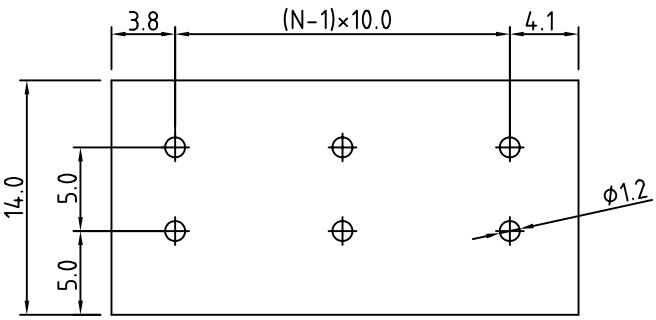


SIGN	DATE	DESCRIPTION	APPROVER



N=Number of contacts

P.C.B LAYOUT



Technical Data:

Material:

- Contact(metal housing): Brass
- Wire guard: Stainless steel
- Surface of solder tail: tin plated
- Insulator body(housing): Polyamide(Glass filled)(UL94V-0)
- Standard Color: Grey

Electrical:

- Voltage rating: 300VAC
- Current rating: 16 Amps/way max
- Contact resistance: 20mΩ(max)
- Insulation resistance: 5000MΩ/1000V
- Withstanding Voltage: 1500VAC(1min) Test time=60sec/1pcs
- Wire range: 14-28AWG

Mechanical:

- Operating temperature: -30°C to +105°C
- Soldering ability: 95%coverage(min)
Test temperature= 230°C±10°C
Test time= 4sec±0.5sec
- Soldering reliability:
Test temperature= 250°C±10°C
5 seconds max

THESE DRAWINGS AND SPECIFICATIONS ARE THE PROPERTY OF ON-SHORE TECHNOLOGY, INC. AND SHALL NOT BE REPRODUCED, COPIED OR USED IN ANY MANNER WITHOUT THE PRIOR WRITTEN CONSENT OF ON-SHORE TECHNOLOGY, INC.



PART NAME: OSTHT- 10.0mm Series				TITLE:	
PART NO.: OSTHTXX1080 (XX DENOTES NUMBER OF POSITIONS)				DWG NAME: OSTHTXX1080.DWG	
APPROVED BY	CHECKED BY	DESIGNED BY	DRAWN BY	CUSTOM NO.:	Tolerance X. ±0.50 X.X ±0.30 X.XX ±0.10 X* ±1°
		Marvin 2003.02.09	Marvin 2003.02.09		
				UNITS: mm	
				SCALE: 3/1 REVISION: B1	