


SIGN	DATE	DESCRIPTION	APPROVER

THIS IS CAD DRAWING, DO NOT REVISE MANUALLY!!!

Material

- Terminal body(Contact pin) : PhBz,tin plated
- Wire guard : Stainless steel
- Insulator (housing): Thermoplastic (UL94V-0)

Electrical

- Voltage rating: 125V
- Current rating: 4A
- Solid wire(AWG): 20-28
- Stranded wire(AWG): 20-28
- Wire strip length: 5-6mm
- Withstanding Voltage: 1.25KV
- Operating temperature: -30°C to +105°C
- Safety Approval:  US

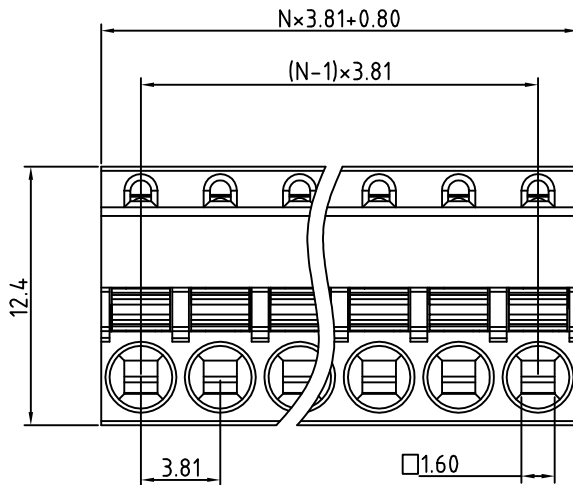
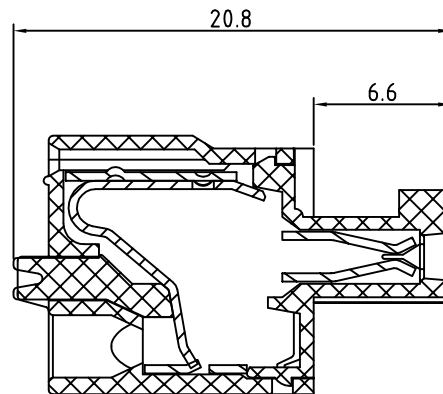
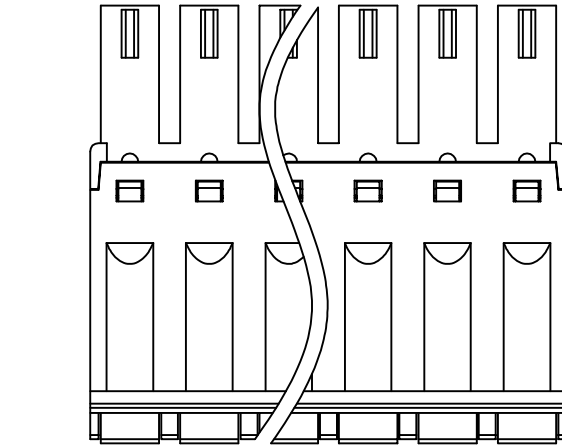
RoHS Compliant

PART NUMBER:

OSTHWXX3050

No. of Poles
02: 2 Poles
:
:
24: 24 Poles

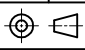
COLOR
0: Black
5: Green (Standard)
6: Blue
8: Grey



N=Number of contacts

THESE DRAWINGS AND SPECIFICATIONS ARE THE PROPERTY OF ON-SHORE TECHNOLOGY, INC. AND SHALL NOT BE REPRODUCED, COPIED OR USED IN ANY MANNER WITHOUT THE PRIOR WRITTEN CONSENT OF ON-SHORE TECHNOLOGY, INC.



TITLE		OSTHW 3.81mm series 2p-24p			
PART NO.	OSTHWXX3050	DWG NO.	OSTHWXX3050.DWG		
APPROVED	CHECKED	DESIGNED	DRAWN	CUST NO.	Tolerance
Shi jun 2006.11.07	Marvin 2006.06.23	Marvin 2006.06.23	Marvin 2006.06.23	 UNIT: mm SCALE: NONE SHEET: 01/01	X. ±0.50
					X.X ±0.30
					X.XX ±0.10
					X° ±1°