

SIGN	DATE	DESCRIPTION	APPROVER
THIS IS CAD DRAWING, DO NOT REVISE MANUALLY!!!			

Dimension

DIM A	N×5.0
DIM B	(N-1)×5.0

N=Number of poles

POLES	TOL
2p-6p	±0.20
7p-12p	±0.30
13p-16p	±0.40
17p-24p	±0.50

Material

- Insulating body Thermoplastic ( UL94V-0 )
- Insulating lever Thermoplastic ( UL94V-0 )
- Wire guard Stainless Steel
- Contacts PIN PhBz ( CuSn ) Tin plated

Electrical

- Voltage rating: 300V
- Current rating: 10A
- Solid wire(AWG): 12-26
- Stranded wire(AWG): 12-26
- Wire strip length: 5-6mm
- Withstanding Voltage: 1.6KV
- Operating temperature: -30°C to +105°C

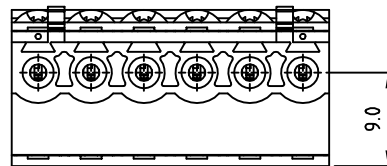
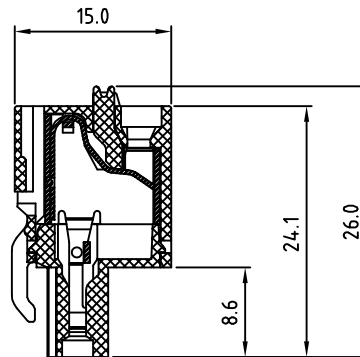
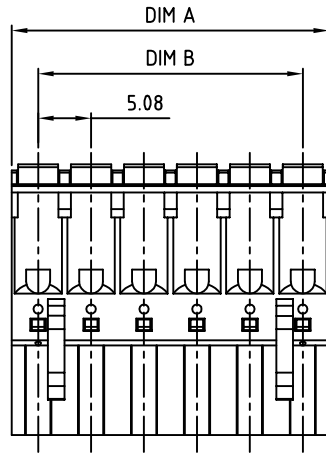
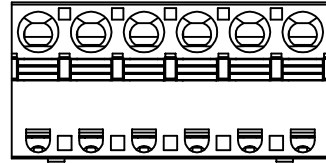
RoHS Compliant

PART NUMBER:

**OSTHWXX5051**

No. of Poles  
02: 2 Poles  
:  
:  
24: 24 Poles

COLOR  
0: Black  
5: Green (Standard)  
6: Blue  
8: Grey



THESE DRAWINGS AND SPECIFICATIONS ARE THE PROPERTY OF ON-SHORE TECHNOLOGY, INC. AND SHALL NOT BE REPRODUCED, COPIED OR USED IN ANY MANNER WITHOUT THE PRIOR WRITTEN CONSENT OF ON-SHORE TECHNOLOGY, INC.



TITLE		OSTHW 5.08 Series contact on up side			
PART NO.	OSTHWXX5051	DWG NO.	OSTHWXX5051.DWG		
APPROVED	CHECKED	DESIGNED	DRAWN	CUST NO.	Tolerance
		Aaron 2007.02.14	Aaron 2007.02.14		X. ±0.50 X.X ±0.30 X.XX ±0.10 X° ±1°
					UNIT: mm
				SHEET: 01/01	SCALE: NONE
				REV.: B	