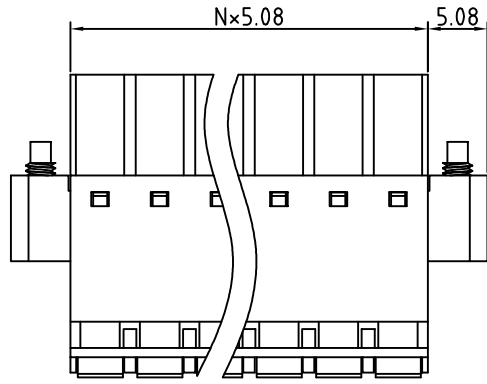


SIGN	DATE	DESCRIPTION	APPROVER
THIS IS CAD DRAWING, DO NOT REVISE MANUALLY!!!			



Material

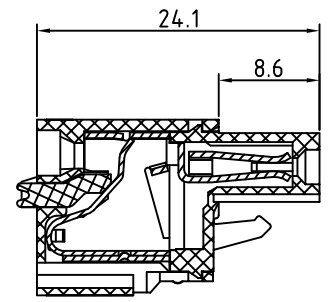
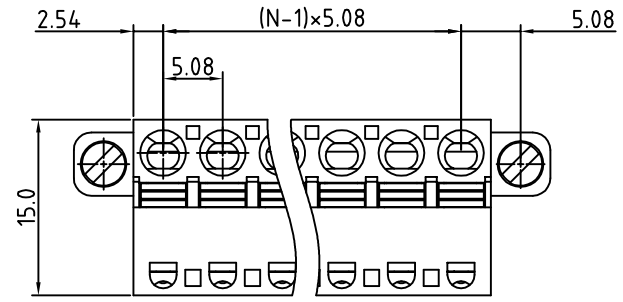
- Terminal body(Contact pin) : PhBz,tin plated
- Wire guard : Stainless steel
- Flange screw : Steel Zinc plating M2.5
- Insulator (housing): Thermoplastic (UL94V-0)

Electrical

cULus

- Voltage rating: 300V
- Current rating: 10A
- Solid wire(AWG): 12-26
- Stranded wire(AWG): 12-26
- Wire strip length: 6-7mm
- Withstanding Voltage: 1.6KV
- Operating temperature: -30°C to +105°C
- Safety Approval: cULus

RoHS Compliant



PART NUMBER:

OSTHWXX5052

No. of Poles
 02: 2 Poles
 :
 24: 24 Poles

COLOR
 0: Black
 5: Green (Standard)
 6: Blue
 8: Grey

N=Number of contacts



THESE DRAWINGS AND SPECIFICATIONS ARE THE PROPERTY OF ON-SHORE TECHNOLOGY, INC. AND SHALL NOT BE REPRODUCED, COPIED OR USED IN ANY MANNER WITHOUT THE PRIOR WRITTEN CONSENT OF ON-SHORE TECHNOLOGY, INC.

TITLE		OSTHW 5.08mm series with flange 2p-24p			
PART NO.	OSTHWXX5052	DWG NO.	OSTHWXX5052.DWG		
APPROVED	CHECKED	DESIGNED	DRAWN	CUST NO.	Tolerance
Shi jun 2006.11.07	Marvin 2006.11.07	Marvin 2006.11.07	Marvin 2006.11.07		X. ±0.50 X.X ±0.30 X.XX ±0.10 X° ±1°
				SHEET: 01/01	UNIT: mm SCALE: NONE REV.: B