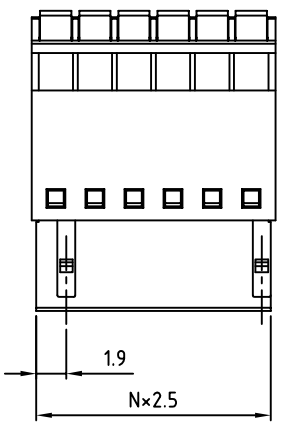
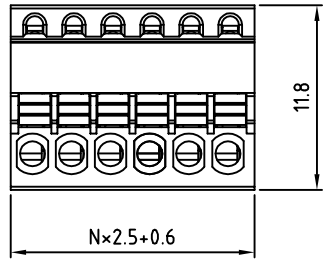
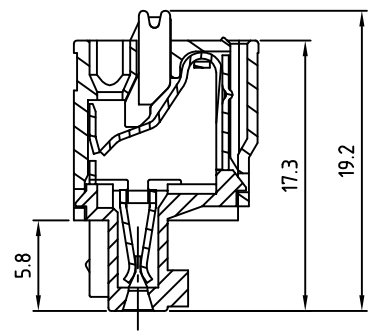
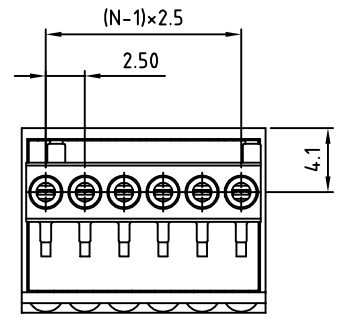


SIGN	DATE	DESCRIPTION	APPROVER
		<i>THIS IS CAD DRAWING, DO NOT REVISE MANUALLY!!!</i>	



N=Number of poles



- Material:**
- Terminal body (Contact pin): PhBz,tin plated
 - Wire guard: Stainless steel
 - Insulator(housing): Thermoplastic (UL94V-0)
- Electrical:** cULus
- Voltage rating: 125V
 - Current rating: 4A
- Wire range:**
- Solid wire(AWG): 20-28
 - Stranded wire(AWG): 20-28
 - Wire strip length: 5-6mm
 - Withstanding Voltage: 1.25KV
 - Operating temperature: -33°C to +105°C
 - Safety Approval: us
- RoHS Compliant

PART NUMBER:

OSTHWXXB050

- | | | |
|--------------|---|---------------------|
| No. of Poles | — | COLOR |
| 02: 2 Poles | — | 0: Black |
| : | | 5: Green (Standard) |
| : | | 6: Blue |
| 24: 24 Poles | — | 8: Grey |

THESE DRAWINGS AND SPECIFICATIONS ARE THE PROPERTY OF ON-SHORE TECHNOLOGY, INC. AND SHALL NOT BE REPRODUCED, COPIED OR USED IN ANY MANNER WITHOUT THE PRIOR WRITTEN CONSENT OF ON-SHORE TECHNOLOGY, INC.



TITLE		OSTHW 2.5mm Series 2p-24p			
PART NO.	OSTHWXXB050	DWG NO.	OSTHWXXB050.DWG		
APPROVED	CHECKED	DESIGNED	DRAWN	CUST NO.	Tolerance
Shi Jun 2006.11.09	Marvin 2006.11.09	Tony 2005.12.31	Tony 2005.12.31		X. ±0.50 X.X ±0.30 X.XX ±0.10 X° ±1°
				SHEET: 01/01	UNIT: mm SCALE: NONE REV.: B