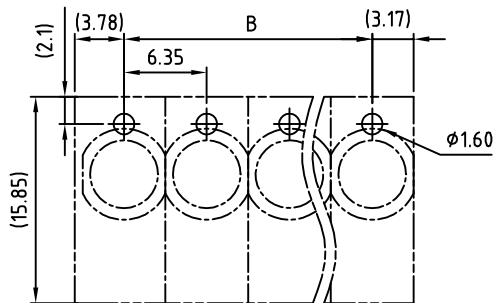
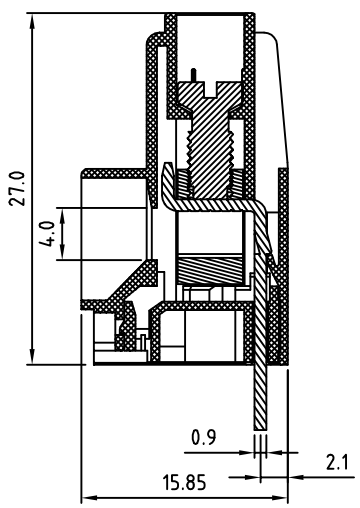
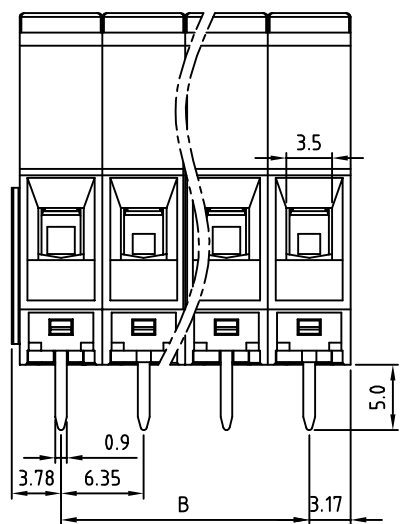
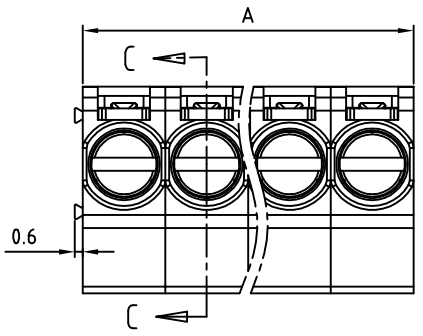


SIGN	DATE	DESCRIPTION	APPROVER
<i>THIS IS CAD DRAWING, DO NOT REVISE MANUALLY!!!</i>			



	Dim A	Dim B
2-6p	± 0.20	± 0.15
7-12p	± 0.30	± 0.25
13-16p	± 0.40	± 0.35

N = Number of poles
 Dim A = N x 6.35
 Dim B = (N-1) x 6.35

- Material:**
- Insulator(housing): Thermoplastic (UL 94V-0)
 - Metal housing: Brass
 - Contacts: Brass
 - Terminal screw: Steel Zinc plating"-slot type
- Electrical**
- Voltage rating: 300VAC
 - Current rating: 30A
 - Wire range:
 - Solid wire(AWG): 10-24
 - Stranded wire(AWG): 10-24
 - Torque(Lb-In): 8.9
 - Screw: M3.5
 - Wire strip length: 8-9mm
 - Withstanding Voltage: 1.6KV
 - Operating temperature: -40°C to +115°C
 - Soldering temperature: 250°C \pm 10°C/5 Sec

RoHS Compliant

PART NUMBER:

OSTKPXX0151

No. of Poles	COLOR
02 2 Poles	0: Black
03 3 Poles	5: Green (Standard)
...	6: Blue
12 12 Poles	8: Grey

THESE DRAWINGS AND SPECIFICATIONS ARE THE PROPERTY OF ON-SHORE TECHNOLOGY, INC. AND SHALL NOT BE REPRODUCED, COPIED OR USED IN ANY MANNER WITHOUT THE PRIOR WRITTEN CONSENT OF ON-SHORE TECHNOLOGY, INC.



TITLE		OSTKP 6.35 series - back single row (without cover)			
PART NO.	OSTKPXX0151	DWG NO.	OSTKPXX0151.DWG		
APPROVED	CHECKED	DESIGNED	DRAWN	CUST NO.	Tolerance
Marvin 2009.04.07	Marvin 2009.04.07	Jacke 2008.12.17	Jacke 2008.12.17		X. ± 0.50 X.X ± 0.30 X.XX ± 0.10 X° $\pm 1^\circ$
				UNIT: mm	
				SCALE: NONE	
				REV.: B	
				SHEET: 01/01	