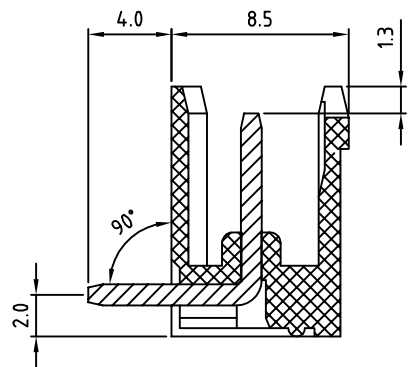
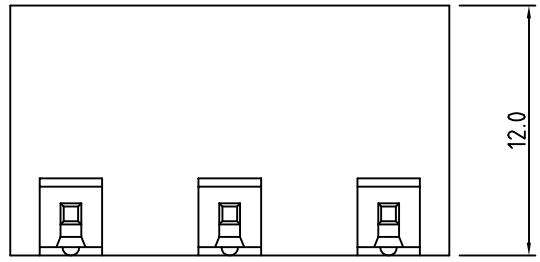
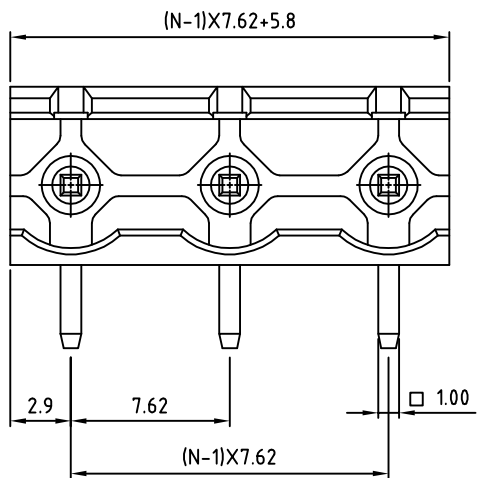



SIGN	DATE	DESCRIPTION	APPROVER
		<i>THIS IS CAD DRAWING, DO NOT REVISE MANUALLY!!!</i>	



**Material**

- Terminal body  
(contact pin): Brass(CuZn) Tin plated
- Insulator (housing): Thermoplastic (UL94V-0)

**Electrical cULus**

- Voltage rating: 300VAC
- Current rating: 20A
- Withstanding Voltage: 1.6KV
- Operating temperature: -30°C to +105°C
- Soldering temperature: 250°C±10°C/5 Sec
- Safety Approval: 

RoHS Compliant

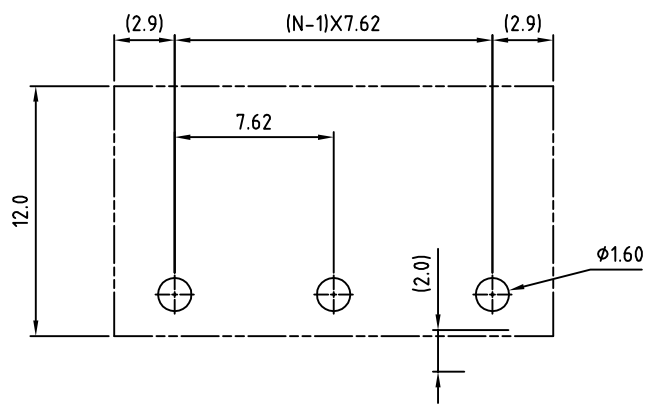
PART NUMBER:

**OSTOQXX0051**

No. of Poles  
02: 2 Poles  
:  
16: 16 Poles

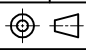
COLOR  
0: Black  
5: Green (Standard)  
6: Blue  
8: Grey

N=Number of contacts  
P.C.B LAYOUT



THESE DRAWINGS AND SPECIFICATIONS ARE THE PROPERTY OF ON-SHORE TECHNOLOGY, INC. AND SHALL NOT BE REPRODUCED, COPIED OR USED IN ANY MANNER WITHOUT THE PRIOR WRITTEN CONSENT OF ON-SHORE TECHNOLOGY, INC.



TITLE		OSTOQ 7.62mm series open right-angle 2p-16p			
PART NO.	OSTOQXX0051	DWG NO.	OSTOQXX0051.DWG		
APPROVED	CHECKED	DESIGNED	DRAWN	CUST NO.	Tolerance
Shi Jun 2006.10.31	Marvin 2006.10.31	Marvin 2006.10.31	Marvin 2006.10.31	 UNIT: mm SCALE: NONE SHEET: 01/01 REV: D	X. ±0.50
					X.X ±0.30
					X.XX ±0.10
					X° ±1°