


SIGN	DATE	DESCRIPTION	APPROVER
THIS IS CAD DRAWING, DO NOT REVISE MANUALLY!!!			

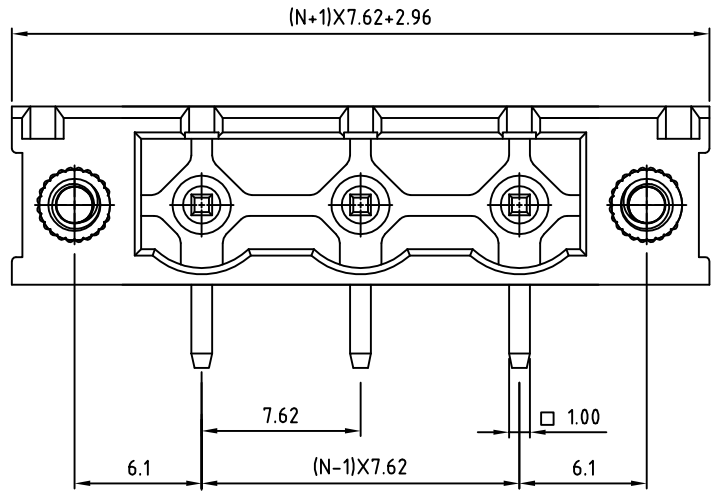
Material

- Terminal body
- (contact pin): Brass(CuZn) Tin plated
- With flange nut: Brass M2.5
- Insulator (housing): Thermoplastic (UL94V-0)

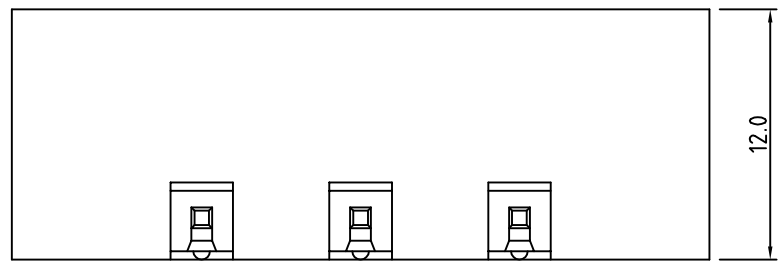
Electrical cULus

- Voltage rating: 300VAC
- Current rating: 20A
- Withstanding Voltage: 1.6KV
- Operating temperature: -30°C to +105°C
- Soldering temperature: 250°C±10°C/5 Sec
- Safety Approval: 

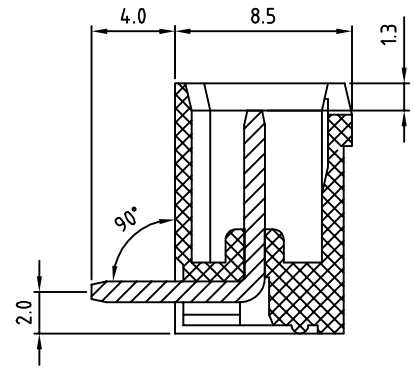
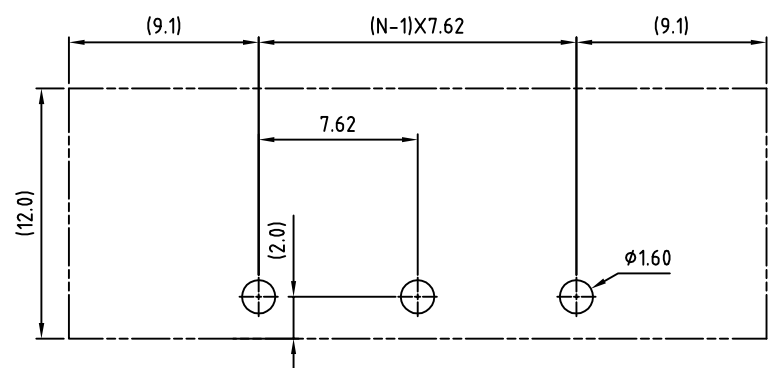
RoHS Compliant



N=Number of contacts



P.C.B LAYOUT



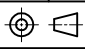
PART NUMBER:

OSTOQXX0551

No. of Poles
02: 2 Poles
:
16: 16 Poles

COLOR
0: Black
5: Green (Standard)
6: Blue
8: Grey



TITLE		OSTOQ 7.62mm series with flange right-angle 2p-16p			
PART NO.	OSTOQXX0551	DWG NO.	OSTOQXX0551.DWG		
APPROVED	CHECKED	DESIGNED	DRAWN	CUST NO.	Tolerance
Shi Jun 2006.10.31	Marvin 2006.10.31	Marvin 2006.10.31	Marvin 2006.10.31		X. ±0.50 X.X ±0.30 X.XX ±0.10 X° ±1°
					UNIT: mm
					SCALE: NONE
				SHEET: 01/01	REV.: D

THESE DRAWINGS AND SPECIFICATIONS ARE THE PROPERTY OF ON-SHORE TECHNOLOGY, INC. AND SHALL NOT BE REPRODUCED, COPIED OR USED IN ANY MANNER WITHOUT THE PRIOR WRITTEN CONSENT OF ON-SHORE TECHNOLOGY, INC.