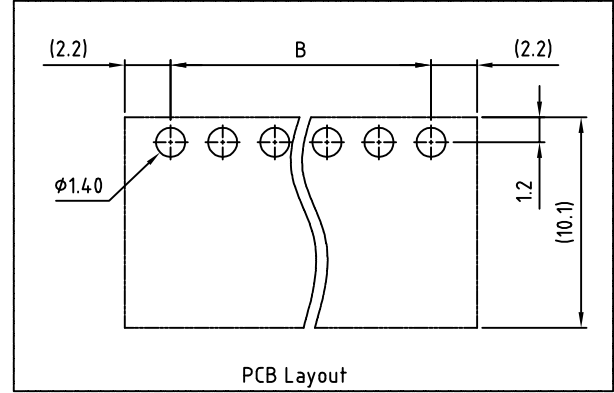
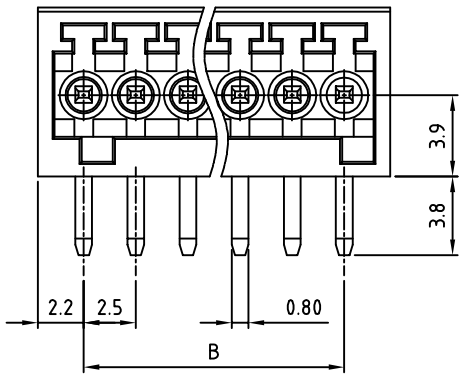
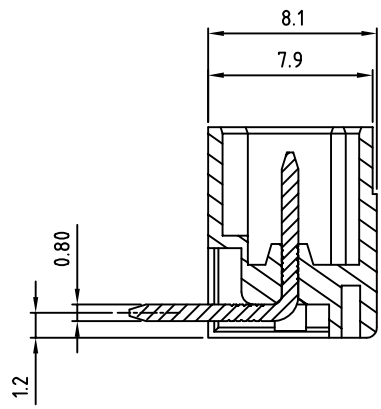
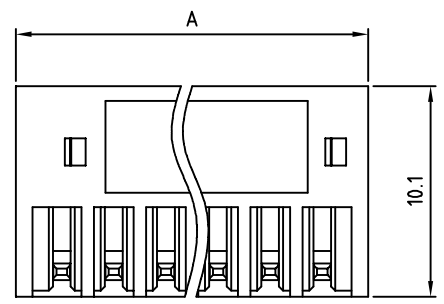


SIGN	DATE	DESCRIPTION	APPROVER
		THIS IS CAD DRAWING, DO NOT REVISE MANUALLY!!!	



- Material:
- Contact pin: Brass(CuZn) Tin plated
 - Insulator(housing): Thermoplastic (UL94V-0)
- Electrical: cULus
- Voltage rating: 125V
 - Current rating: 4A
 - Withstanding Voltage: 1.25 KV
 - Operating temperature: -30°C to +105°C
 - Soldering temperature: 250°C±10°C/5 Sec
- RoHS Compliant



PART NUMBER:

OSTOQXXB151

- | | |
|--------------|---------------------|
| No. of Poles | COLOR |
| 02 2 Poles | 0: Black |
| 03 3 Poles | 5: Green (Standard) |
| | 6: Blue |
| 24 24 Poles | 8: Grey |

THESE DRAWINGS AND SPECIFICATIONS ARE THE PROPERTY OF ON-SHORE TECHNOLOGY, INC. AND SHALL NOT BE REPRODUCED, COPIED OR USED IN ANY MANNER WITHOUT THE PRIOR WRITTEN CONSENT OF ON-SHORE TECHNOLOGY, INC.

POLE		2	3	4	5	6	7	8	9	10	11	12
A		6.90	9.40	11.90	14.40	16.90	19.40	21.90	24.40	26.90	29.40	31.90
B		2.50	5.00	7.50	10.00	12.50	15.00	17.50	20.00	22.50	25.00	27.50
Tol.		±0.10					±0.15					
POLE	13	14	15	16	17	18	19	20	21	22	23	24
A	34.40	36.90	39.40	41.90	44.40	46.90	49.40	51.90	54.40	56.90	59.40	61.90
B	30.00	32.50	35.00	37.50	40.00	42.50	45.00	47.50	50.00	52.50	55.00	57.50
Tol.		±0.20					±0.30					



TITLE	OSTOQ 2.5mm 90° Series		
PART NO.	OSTOQXXB151	DWG NO.	OSTOQXXB151.DWG
APPROVED	CHECKED	DESIGNED	DRAWN
		Tony 2007.04.07	Tony 2007.04.07
		SHEET: 01/01	Tolerance X. ±0.50 X.X ±0.30 X.XX ±0.10 X° ±1°
		UNIT: mm	SCALE: NONE
		REV: B	