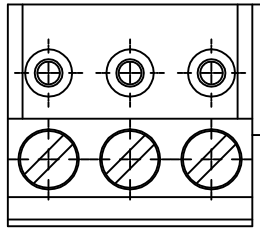


SIGN	DATE	DESCRIPTION	APPROVER

THIS IS CAD DRAWING, DO NOT REVISE MANUALLY!!!



Material

- Terminal body
(metal housing): Brass(CuZn)
- Terminal screw: Steel Zinc plating "-" slot type
- Wire guard :PhBz (CuSn)
- Insulator (housing): Thermoplastic (UL94V-0)

Electrical UL / CSA / TUV / VDE

- Voltage rating: 300V/300V/300V/300V
- Current rating: 15A/10A/15A/12A
- Wire range: 0.34-1.5mm² / 0.34-1.5mm²
Solid wire(AWG): 14-22 / 14-22
Stranded wire(AWG): 14-22 / 14-22
- Torque: 3.5Lb-In / 4Kgf.cm / 0.4N.m / 0.4N.m
- Screw: M2.6
- Wire strip length: 5-6mm
- Withstanding Voltage: 1.6KV/1.6KV/2.5KV/2.5KV
- Operating temperature: -30°C to +105°C
- Safety Approval:

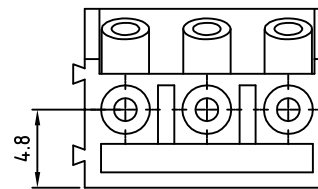
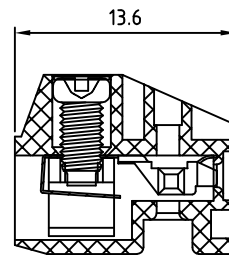
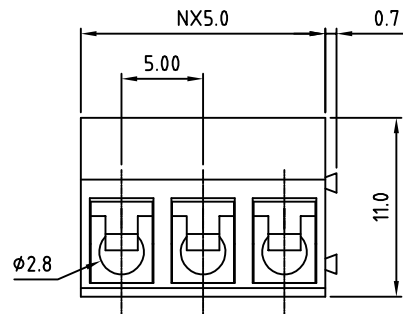
RoHS Compliant

PART NUMBER:

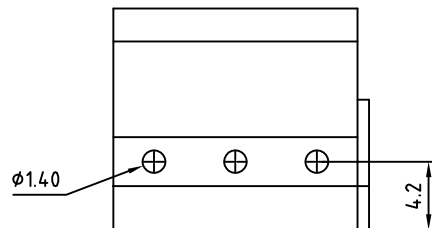
OSTTHXX0160

No. of Poles
02: 2 Poles
03: 3 Poles
... ..
24: 24 Poles

COLOR:
0: Black
5: Green
6: Blue (Standard)
8: Grey



N=Number of contacts



THESE DRAWINGS AND SPECIFICATIONS ARE THE PROPERTY OF ON-SHORE TECHNOLOGY, INC. AND SHALL NOT BE REPRODUCED, COPIED OR USED IN ANY MANNER WITHOUT THE PRIOR WRITTEN CONSENT OF ON-SHORE TECHNOLOGY, INC.



TITLE		OSTTH-5.0mm series			
PART NO.	OSTTHXX0160	DWG NO.	OSTTHXX0160.DWG		
APPROVED	CHECKED	DESIGNED	DRAWN	CUST NO.	Tolerance
Shi Jun 2006.10.23	Marvin 2006.10.23	Marvin 2006.10.23	Marvin 2006.10.23		X. ±0.50 X.X ±0.30 X.XX ±0.10 X° ±1°
				SHEET: 01/01	UNIT: mm SCALE: NONE REV.: E