

SIGN	DATE	DESCRIPTION	APPROVER

THIS IS CAD DRAWING, DO NOT REVISE MANUALLY!!!

Material:

- Insulator(housing): Thermoplastic (UL94V-0)
- Insulator(cover): Thermoplastic (UL94V-0)
- Metal housing: Steel
- Terminal screw: Steel Zinc plating "-" slot type.
- Contact: Brass,Tin plated.

Electrical:

- | | |
|--------------------------|-----------------|
| | cULus |
| ● Voltage rating: | 300V |
| ● Current rating: | 8A |
| ● Wire range: | |
| Solid wire(AWG): | 16-28 |
| Stranded wire(AWG): | 16-28 |
| ● Torque: | 1.7 Lb-In. |
| ● Screw: | M2 |
| ● Wire strip length: | 8-9mm |
| ● Withstanding Voltage: | 1.6KV |
| ● Operating temperature: | -40°C to +115°C |

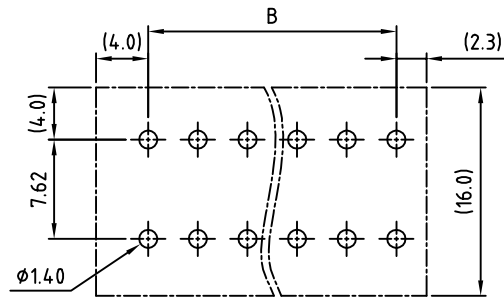
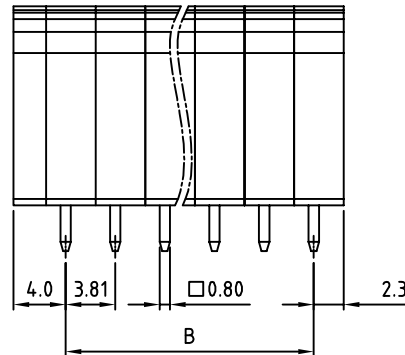
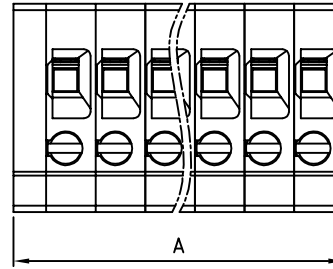
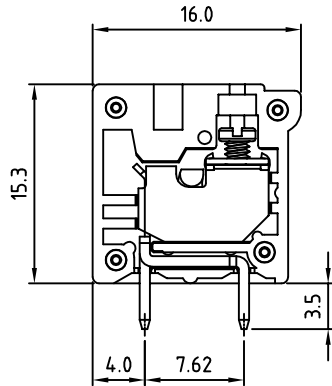
RoHS Compliant

PART NUMBER:

OSTTRXX3550

- No. of Poles
- 02 2 Poles
 - 03 3 Poles
 -
 - 24 24 Poles

- COLOR
- 0: Black
 - 5: Green (Standard)
 - 6: Blue
 - 8: Grey



PCB Layout

POLE		2	3	4	5	6	7	8	9	10	11	12	
A		10.12	13.93	17.74	21.55	25.36	29.17	32.98	36.79	40.60	44.41	48.22	
B		3.81	7.62	11.43	15.24	19.05	22.86	26.67	30.48	34.29	38.10	41.91	
Tol.		±0.10					±0.15						
POLE		13	14	15	16	17	18	19	20	21	22	23	24
A		52.03	55.84	59.65	63.46	67.27	71.08	74.89	78.70	82.51	86.32	90.13	93.94
B		45.72	49.53	53.34	57.15	60.96	64.77	68.58	72.39	76.20	80.01	83.82	87.63
Tol.		±0.20						±0.30					



TITLE	OSTTR 3.81mm 90D Series		
PART NO.	OSTTRXX3550	DWG NO.	OSTTRXX3550.DWG
APPROVED	CHECKED	DESIGNED	DRAWN
		Tony 2008.06.10	Tony 2008.06.10
		UNIT: mm SCALE: NONE SHEET: 01/01 REV.: B	
		Tolerance X. ±0.50 X.X ±0.30 X.XX ±0.10 X° ±1°	