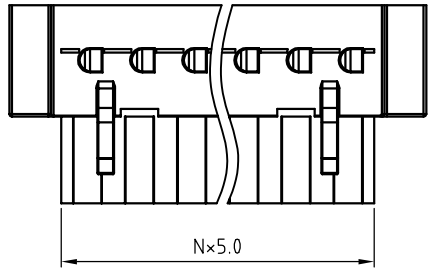
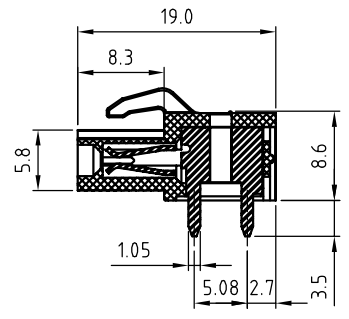
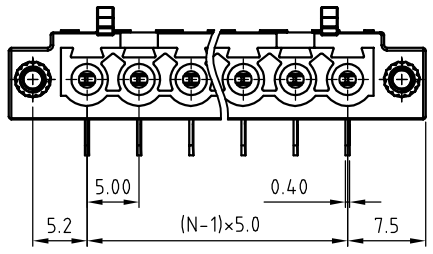


| | | | |
|------|------|---|----------|
| SIGN | DATE | DESCRIPTION | APPROVER |
| | | <i>THIS IS CAD DRAWING, DO NOT REVISE MANUALLY!!!</i> | |



N=Number of poles



Material

- Wire guard: PhBz(CuSn)
- Surface of solder tail: Tin plated
- With Flange Nut Brass M2.5
- Insulator (housing): Thermoplastic (UL94V-0)

Electrical

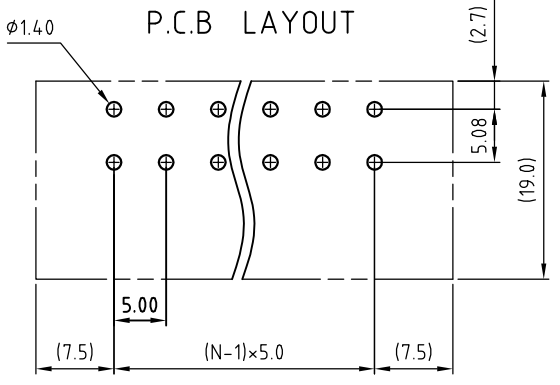
- Voltage rating: 300VAC
- Current rating: 10A
- Withstanding Voltage: 1.6kv
- Operating temperature: -30°C to +105°C
- Soldering temperature: 250°C±10°C/5 Sec

RoHS Compliant

PART NUMBER:

OSTV7XX7251

| | |
|--------------|---------------------|
| No. of Poles | COLOR |
| 02 2 Pole | 0: Black |
| 03 3 Pole | 5: Green (Standard) |
| ... | 6: Blue |
| 24 24 Pole | 8: Light Grey |



THESE DRAWINGS AND SPECIFICATIONS ARE THE PROPERTY OF ON-SHORE TECHNOLOGY, INC. AND SHALL NOT BE REPRODUCED, COPIED OR USED IN ANY MANNER WITHOUT THE PRIOR WRITTEN CONSENT OF ON-SHORE TECHNOLOGY, INC.



| | | | | | | |
|-----------------------|-----------------------|---|---------------------|--------------|-------------|-----------|
| TITLE | | OSTV7 5.0mm Series W/F 90° Right angle 2p-24p | | | | |
| PART NO. | OSTV7XX7251 | DWG NO. | OSTV7XX7251.DWG | | | |
| APPROVED | CHECKED | DESIGNED | DRAWN | CUST NO. | Tolerance | |
| Shi Jun 2006.11.11 | Shi Jun 2006.11.11 | Tason 2006.04.06 | Tason 2006.04.06 | | X. ±0.5 | |
| | | | | | UNIT: mm | X.X ±0.3 |
| | | | | SHEET: 01/01 | SCALE: NONE | X.XX ±0.1 |
| | | | | REV: B | X° ±1° | |