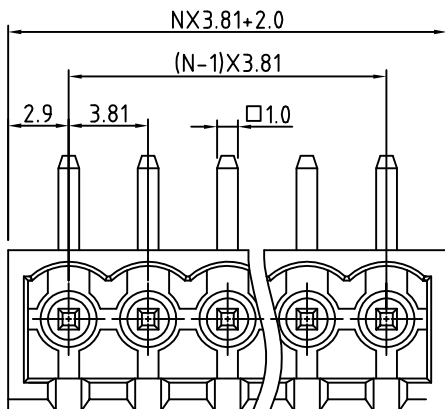
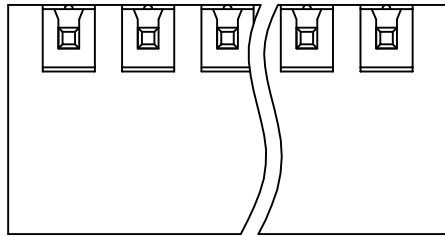
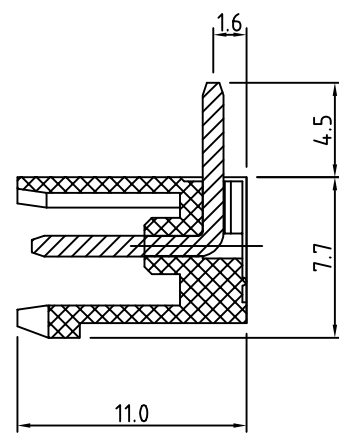


SIGN	DATE	DESCRIPTION	APPROVER

THIS IS CAD DRAWING, DO NOT REVISE MANUALLY!!!



N=Number of poles



Material

- Terminal body(Contact pin): Brass with Tin plated
- Insulator (housing): Thermoplastic (UL94V-0)

Electrical

cULus

- Voltage rating: 300V
- Current rating: 8A
- Withstanding Voltage: 1.6KV
- Operating temperature: -30°C to +105°C
- Soldering temperature: 250°C ±10°C/5 Sec
- Safety Approval: US

RoHS Compliant

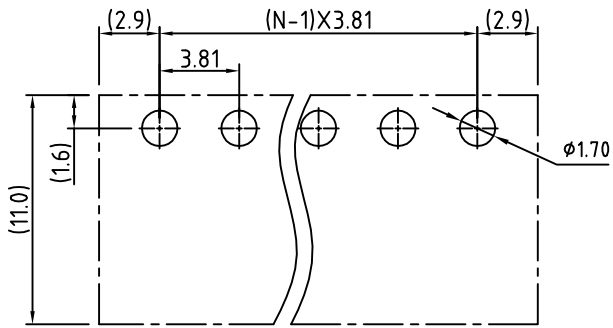
PART NUMBER:

OSTVEXX3151

No. of Poles
02: 2 Poles
:
24: 24 Poles

COLOR
0: Black
5: Green (Standard)
6: Blue
8: Grey

P.C.B LAYOUT



THESE DRAWINGS AND SPECIFICATIONS ARE THE PROPERTY OF ON-SHORE TECHNOLOGY, INC. AND SHALL NOT BE REPRODUCED, COPIED OR USED IN ANY MANNER WITHOUT THE PRIOR WRITTEN CONSENT OF ON-SHORE TECHNOLOGY, INC.



TITLE		OSTVE-3.81mm Series Closed right-angle 2p-24p				
PART NO.	OSTVEXX3151	DWG NO.	OSTVEXX3151.DWG			
APPROVED	CHECKED	DESIGNED	DRAWN	CUST NO.		
Shi Jun 2006.10.25	Marvin 2005.10.25	Marvin 2005.10.25	Marvin 2005.10.25		UNIT: mm	Tolerance
				SHEET: 01/01	SCALE: NONE	X. ±0.50
				REV.: D	X.X ±0.30	X.XX ±0.10
					X° ±1°	