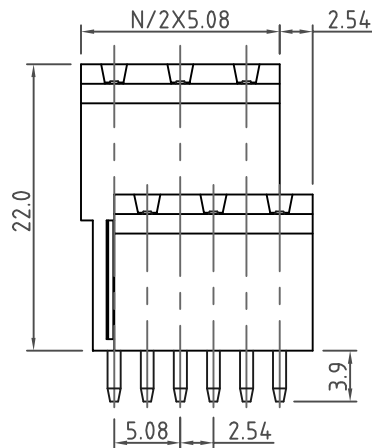
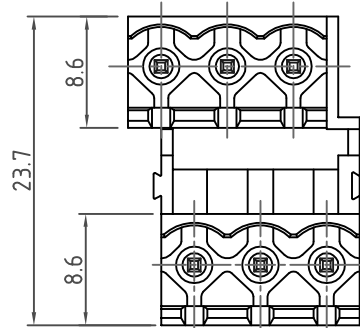
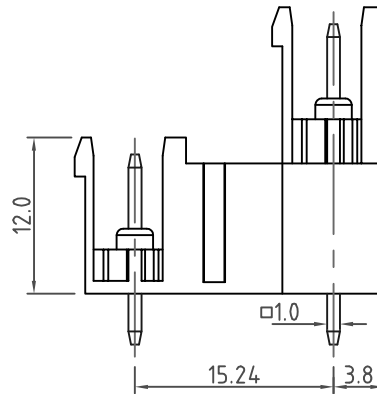


SIGN	DATE	DESCRIPTION	APPROVER



N= Number of poles



**Material**

- Contact pin: Brass
- Surface of solder tail: Tin plated
- Insulator (housing): Thermoplastic (UL94V-0)

**Electrical**

- Voltage rating: 300VAC
- Current rating: 15A
- Withstanding Voltage: 1.6KV
- Operating temperature: -30°C to +105°C
- Soldering temperature: 250°C±10°C/5 Sec
- Safety approval: cULus

RoHS Compliant

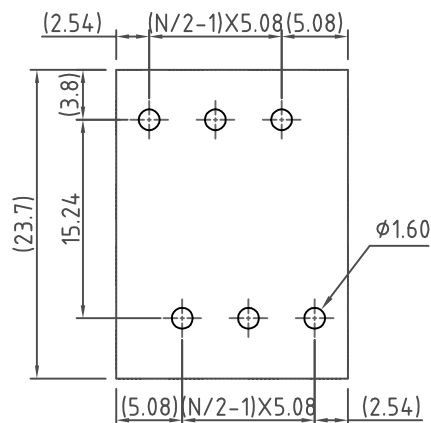
PART NUMBER:

**OSTVFX5050**

No. of Poles  
 04: 2x02 Poles  
 06: 2x03 Poles  
 : :  
 48 2x24 Poles

COLOR  
 0: Black  
 5: Green (Standard)  
 6: Blue  
 8: Grey

**P.C.B LAYOUT**



THESE DRAWINGS AND SPECIFICATIONS ARE THE PROPERTY OF ON-SHORE TECHNOLOGY, INC. AND SHALL NOT BE REPRODUCED, COPIED OR USED IN ANY MANNER WITHOUT THE PRIOR WRITTEN CONSENT OF ON-SHORE TECHNOLOGY, INC.



TITLE		OSTVF-5.08mm Series open vertical 2x2p-2x24p				
PART NO.	OSTVFX5050	DWG NO.		OSTVFX5050.DWG		
APPROVED	CHECKED	DESIGNED	DRAWN	CUST NO.	Tolerance	
Shi Jun 2006.11.07	Marvin 2006.11.07	Marvin 2006.11.07	Marvin 2006.11.07		UNIT: mm	X. ±0.50
					SCALE: NONE	X.X ±0.30
				SHEET: 01/01	REV.: C	X.XX ±0.10
						X° ±1°