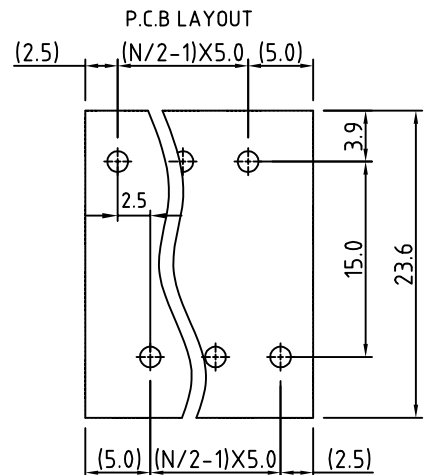
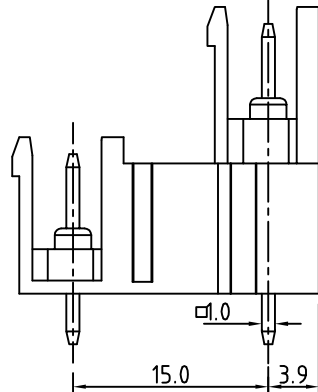


N=Number of poles



SIGN	DATE	DESCRIPTION	APPROVER
		<i>THIS IS CAD DRAWING, DO NOT REVISE MANUALLY!!!</i>	

**Material**

- Contact pin: Brass
- Surface of solder tail: Tin plated
- Insulator (housing): Thermoplastic (UL94V-0)

**Electrical**

- Voltage rating: 300VAC
- Current rating: 15A
- Withstanding Voltage: 1.6KV
- Operating temperature: -30°C to +105°C
- Soldering temperature: 250°C±10°C/5 Sec
- Safety approval: (cULus) pending

RoHS Compliant

PART NUMBER:

**OSTVFX7050**

- |                |                     |
|----------------|---------------------|
| No. of Poles   | COLOR               |
| 04: 2x02 Poles | 0: Black            |
| 06: 2x03 Poles | 5: Green (Standard) |
| :              | 6: Blue             |
| 48 2x24 Poles  | 8: Grey             |

THESE DRAWINGS AND SPECIFICATIONS ARE THE PROPERTY OF ON-SHORE TECHNOLOGY, INC. AND SHALL NOT BE REPRODUCED, COPIED OR USED IN ANY MANNER WITHOUT THE PRIOR WRITTEN CONSENT OF ON-SHORE TECHNOLOGY, INC.



TITLE		OSTVF 5.0mm series open vertical 2x2p-2x24p				
PART NO.	OSTVFX7050	DWG NO.	OSTVFX7050.DWG			
APPROVED	CHECKED	DESIGNED	DRAWN	CUST NO.	Tolerance	
Shi Jun 2006.11.07	Marvin 2006.11.07	Marvin 2006.11.07	Marvin 2006.11.07		UNIT: mm	X. ±0.50
					SCALE: NONE	X.X ±0.30
					REV: B	X.XX ±0.10
					SHEET: 01/01	X° ±1°