

DIMENSION		Poles	Tolerance
Dim L	N×7.62	4p-8p	±0.15
Dim A	(N-1)×7.62	9p-12p	±0.25
		13p-16p	±0.35

N=Number of poles

SIGN	DATE	DESCRIPTION	APPROVER
—			

THIS IS CAD DRAWING, DO NOT REVISE MANUALLY!!!

**Material:**

- Terminal housing: Thermoplastic (UL 94V-0)
- Clamp: Brass, Ni plated
- Wire guard solder pin: Brass, Tin plated
- Terminal screw: Steel Zinc plating"-slot type

**Electrical**

- Voltage rating: 300VAC
- Current rating: 20A
- Solid wire(AWG): 12-30
- Stranded wire(AWG): 12-30
- Torque(Lb-In): 3.5
- Screw: M3
- Wire strip length: 6-7mm
- Withstanding Voltage: 1.6KV
- Operating temperature: -40°C to +115°C
- Soldering temperature: 250°C±10°C/5 Sec

RoHS Compliant

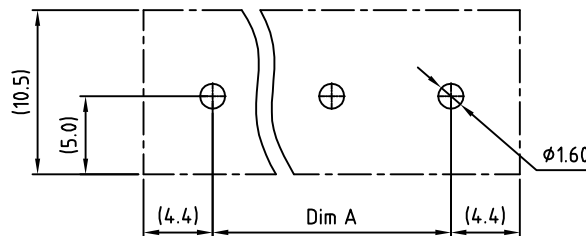
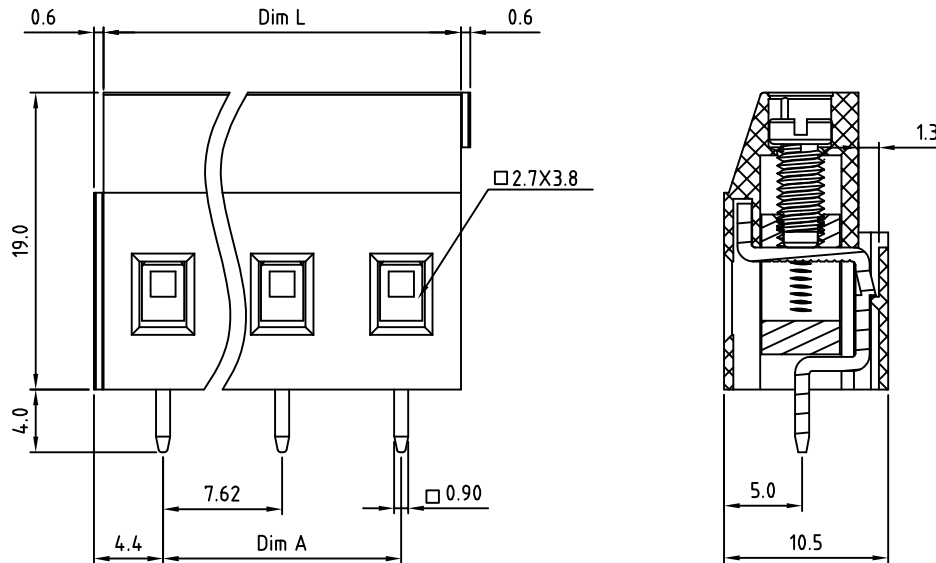
PART NUMBER:

**OSTVJXX6155**

- No. of Poles
- 02 2 Poles
  - 03 3 Poles
  - ... ..
  - 16 16 Poles

- COLOR
- 0: Black
  - 5: Green (Standard)
  - 6: Blue
  - 8: Grey

THESE DRAWINGS AND SPECIFICATIONS ARE THE PROPERTY OF ON-SHORE TECHNOLOGY, INC. AND SHALL NOT BE REPRODUCED, COPIED OR USED IN ANY MANNER WITHOUT THE PRIOR WRITTEN CONSENT OF ON-SHORE TECHNOLOGY, INC.



RECOMMENDED PCB LAYOUT



TITLE		OSTVJ - 7.62mm Series (4P-16P) 180° wire inlet (without cover) Soild block		
PART NO.	OSTVJXX6155	DWG NO.	OSTVJXX6155.DWG	
APPROVED	CHECKED	DESIGNED	DRAWN	CUST NO.
		Kind 2008.12.15	Kind 2008.12.15	
				Tolerance X. ±0.50 X.X ±0.30 X.XX ±0.10 X° ±1°
		SHEET: 01/01		UNIT: mm SCALE: NONE REV.: B