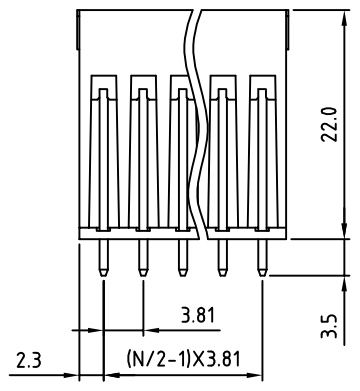
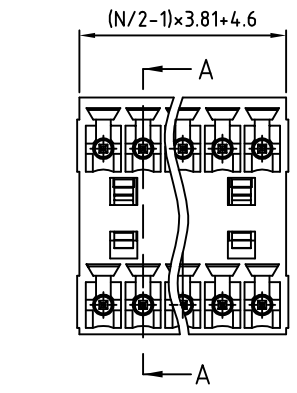
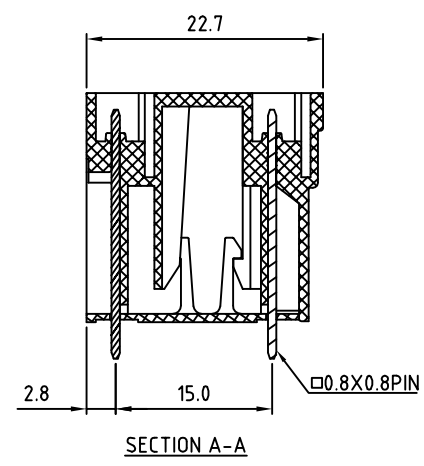


SIGN	DATE	DESCRIPTION	APPROVER
THIS IS CAD DRAWING, DO NOT REVISE MANUALLY!!!			



N=Number of poles

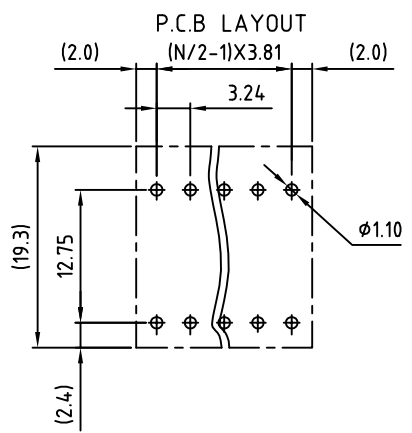


- Material**
- Terminal body (Contact pin): Brass Whit Tin plated
 - Insulator (housing): Thermoplastic (UL94V-0)
- Electrical cULus**
- Voltage rating: 300VAC
 - Current rating: 10A
 - Withstanding Voltage: 1.6KV
 - Operating temperature: -30°C to +105°C
 - Soldering temperature: 250°C±10°C/5 Sec
 - Safety Approval: us
- RoHS Compliant

PART NUMBER:
OSTVLXX3150

No. of Poles →
 04: 2x02 Poles
 06: 2x03 Poles
 : :
 48 2x24 Poles

COLOR
 0: Black
 5: Green (Standard)
 6: Blue
 8: Grey



THESE DRAWINGS AND SPECIFICATIONS ARE THE PROPERTY OF ON-SHORE TECHNOLOGY, INC. AND SHALL NOT BE REPRODUCED, COPIED OR USED IN ANY MANNER WITHOUT THE PRIOR WRITTEN CONSENT OF ON-SHORE TECHNOLOGY, INC.



TITLE		OSTVL-3.81mm series closed vertical 2x2p-2x24p				
PART NO.	OSTVLXX3150	DWG NO.	OSTVLXX3150.DWG			
APPROVED	CHECKED	DESIGNED	DRAWN	CUST NO.		
Shi Jun 2006.10.23	Marvin 2006.10.23	Marvin 2006.10.23	Marvin 2006.10.23			
					UNIT: mm	Tolerance
					SCALE: NONE	X.X ±0.50
				SHEET: 01/01	REV: E	X.XX ±0.30
						X° ±1°