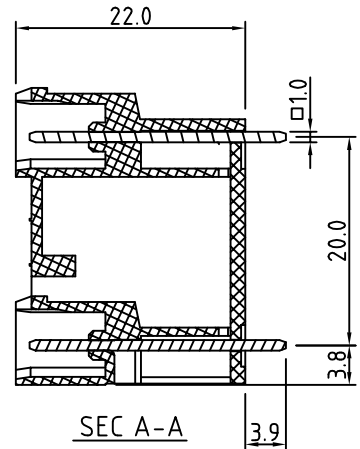
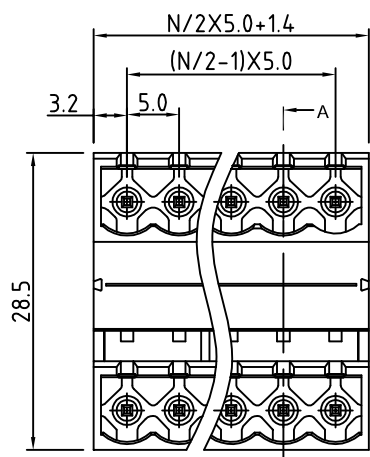
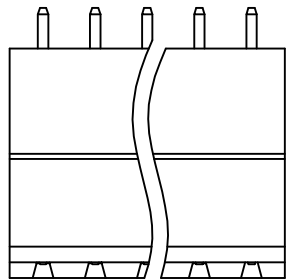


SIGN	DATE	DESCRIPTION	APPROVER
		THIS IS CAD DRAWING, DO NOT REVISE MANUALLY!!!	



**Material**

- Terminal body (Contact pin): Brass Whit Tin plated
- Insulator (housing): Thermoplastic (UL94V-0)

**Electrical cULus**

- Voltage rating: 300VAC
- Current rating: 20A
- Withstanding Voltage: 1.6KV
- Operating temperature: -30°C to +105°C
- Soldering temperature: 250°C±10°C/5 Sec
- Safety Approval: US

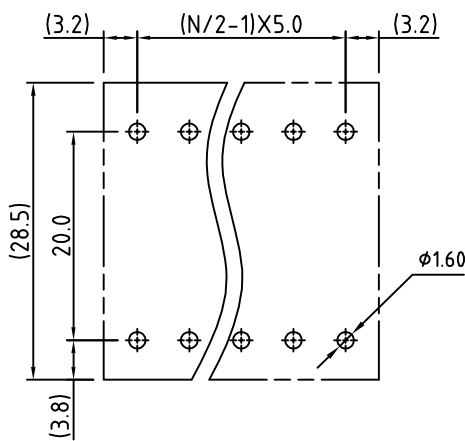
RoHS Compliant

N=NUMBER OF POLES  
P.C.B LAYOUT

**PART NUMBER:**  
**OSTVLXX7150**

No. of Poles →  
 04: 2x02 Poles  
 06: 2x03 Poles  
 : :  
 48 2x24 Poles

COLOR  
 0: Black  
 5: Green (Standard)  
 6: Blue  
 8: Grey



THESE DRAWINGS AND SPECIFICATIONS ARE THE PROPERTY OF ON-SHORE TECHNOLOGY, INC. AND SHALL NOT BE REPRODUCED, COPIED OR USED IN ANY MANNER WITHOUT THE PRIOR WRITTEN CONSENT OF ON-SHORE TECHNOLOGY, INC.



TITLE		OSTVL-5.0mm Series closed vertical 2x2p-2x24p					
PART NO.	OSTVLXX7150	DWG NO.	OSTVLXX7150.DWG				
APPROVED	CHECKED	DESIGNED	DRAWN	CUST NO.	Tolerance		
Shi Jun 2006.10.23	Marvin 2006.10.23	Marvin 2006.10.23	Marvin 2006.10.23		UNIT: mm	X. ±0.50	
					SCALE: NONE	X.X ±0.30	
				SHEET: 01/01	REV: D	X.XX ±0.10	
						X° ±1°	