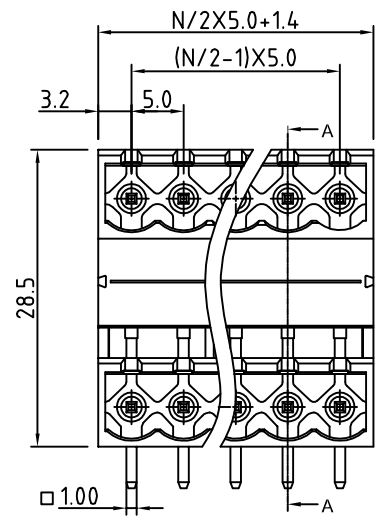
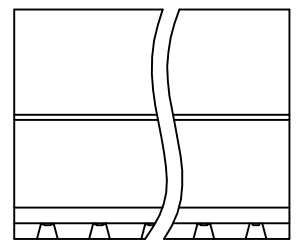
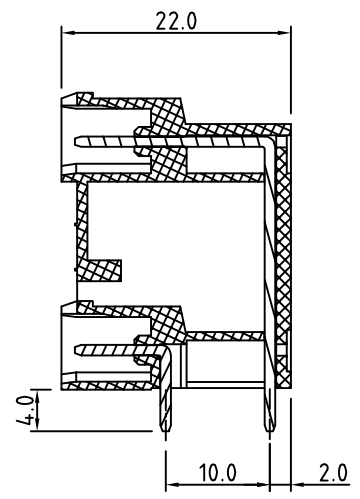
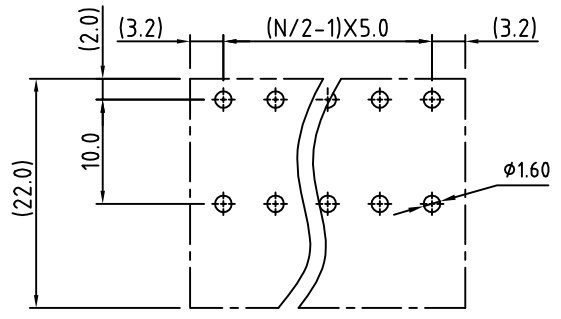


| | | | |
|------|------|---|----------|
| SIGN | DATE | DESCRIPTION | APPROVER |
| | | <i>THIS IS CAD DRAWING, DO NOT REVISE MANUALLY!!!</i> | |



N=NUMBER OF POLES

P.C.B LAYOUT



SEC A-A

Material

- Terminal body (Contact pin): Brass Whit Tin plated
- Insulator (housing): Thermoplastic (UL94V-0)

Electrical cULus

- Voltage rating: 300VAC
- Current rating: 20A
- Withstanding Voltage: 1.6KV
- Operating temperature: -30°C to +105°C
- Soldering temperature: 250°C±10°C/5 Sec
- Safety Approval: cULus

RoHS Compliant

PART NUMBER:

OSTVLXX7151

- | | | |
|----------------|---|---------------------|
| No. of Poles | ↓ | COLOR |
| 04: 2x02 Poles | | 0: Black |
| 06: 2x03 Poles | | 5: Green (Standard) |
| : | | 6: Blue |
| 48 2x24 Poles | | 8: Grey |



THESE DRAWINGS AND SPECIFICATIONS ARE THE PROPERTY OF ON-SHORE TECHNOLOGY, INC. AND SHALL NOT BE REPRODUCED, COPIED OR USED IN ANY MANNER WITHOUT THE PRIOR WRITTEN CONSENT OF ON-SHORE TECHNOLOGY, INC.

| | | | | | | | |
|-----------------------|----------------------|--|----------------------|--------------|-------------|------------|--|
| TITLE | | OSTVL-5.0mm Series closed right-angle 2x2p-2x24p | | | | | |
| PART NO. | OSTVLXX7151 | DWG NO. | OSTVLXX7151.DWG | | | | |
| APPROVED | CHECKED | DESIGNED | DRAWN | CUST NO. | Tolerance | | |
| Shi Jun 2006.10.23 | Marvin 2006.10.23 | Marvin 2006.10.23 | Marvin 2006.10.23 | | UNIT: mm | X. ±0.50 | |
| | | | | SHEET: 01/01 | SCALE: NONE | X.X ±0.30 | |
| | | | | REV.: D | | X.XX ±0.10 | |
| | | | | | | X° ±1° | |