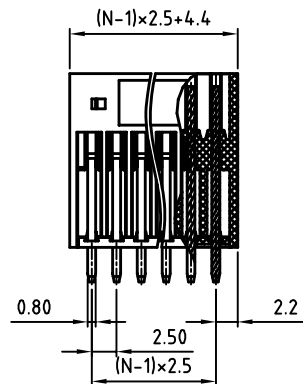
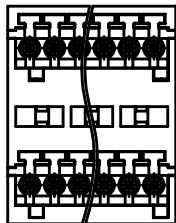
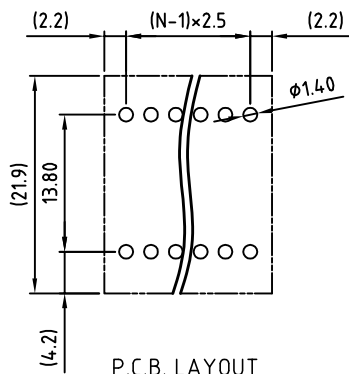
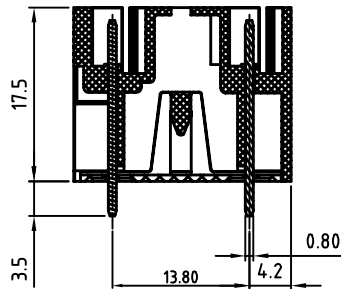


SIGN	DATE	DESCRIPTION	APPROVER

THIS IS CAD DRAWING, DO NOT REVISE MANUALLY!!!



N=1/2Number of poles



P.C.B. LAYOUT

Material

- Terminal body (Contact pin): Brass with Tin plating
- Insulator (housing): Thermoplastic (UL94V-0)

Electrical

- Voltage rating: 125V
- Current rating: 4A
- Withstanding Voltage: 1.25KV
- Operating temperature: -30°C to +105°C
- Soldering temperature: 250°C±10°C/5 Sec

RoHS Compliant

PART NUMBER:

OSTVLXXB150

No. of Poles

04: 2x02 Poles

06: 2x03 Poles

: :

48 2x24 Poles

COLOR

0: Black

5: Green (Standard)

6: Blue

8: Grey



THESE DRAWINGS AND SPECIFICATIONS ARE THE PROPERTY OF ON-SHORE TECHNOLOGY, INC. AND SHALL NOT BE REPRODUCED, COPIED OR USED IN ANY MANNER WITHOUT THE PRIOR WRITTEN CONSENT OF ON-SHORE TECHNOLOGY, INC.

TITLE		OST VL 2.5 Series (2p~30p) 180°			
PART NO.		OSTVLXXB150		DWG NO.	OSTVLXXB150.DWG
APPROVED	CHECKED	DESIGNED	DRAWN	CUST NO.	Tolerance
		Tason 2006.29.06	Tason 2006.29.06		X. ±0.5
					X.X ±0.3
					X.XX ±0.1
					X° ±1°
				SHEET: 01/01	UNIT: mm
					SCALE: NONE
					REV.: C