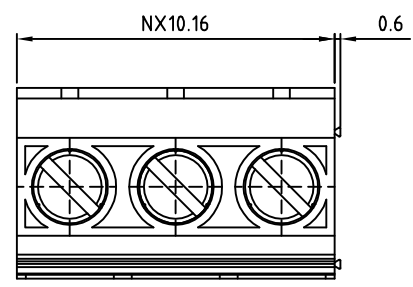


SIGN	DATE	DESCRIPTION	APPROVER
		<i>THIS IS CAD DRAWING, DO NOT REVISE MANUALLY!!!</i>	



- Material**
- Terminal body (metal housing) : Steel stamping
 - Terminal screw : Steel Zinc plating "-" slot type
 - Contacts : Brass
 - Surface of solder tail : Tin plated
 - Insulator (housing) : Thermoplastic (UL94V-0)

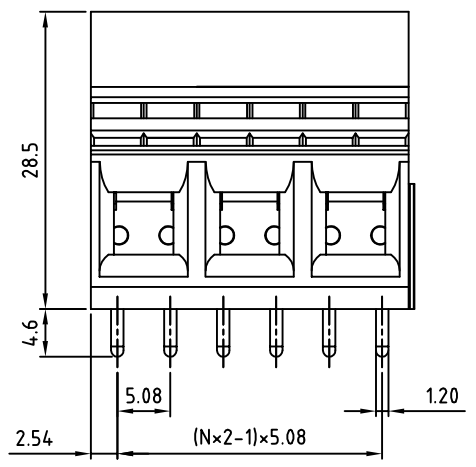
- Electrical**
- Voltage rating : 300V
 - Current rating : 57A
 - Wire range :
Solid wire (AWG) : 8-22
Stranded wire (AWG) : 8-22
 - Torque (LB-In.) : 19
 - Screw : M4
 - Wire strip length : 10-11mm
 - Withstanding voltage : 1.6KV
 - Operating temperature : -30°C+105°C
 - Soldering temperature : 250°C+10°C/5 Sec
 - Safety Approval: US

RoHS Compliant

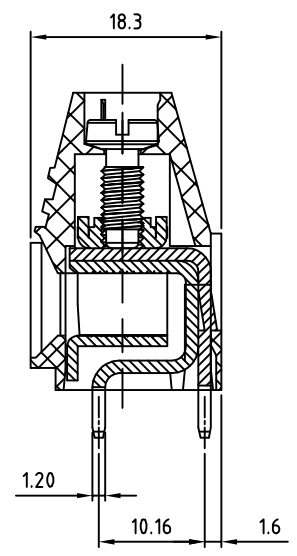
PART NUMBER:

OSTVPXX6585

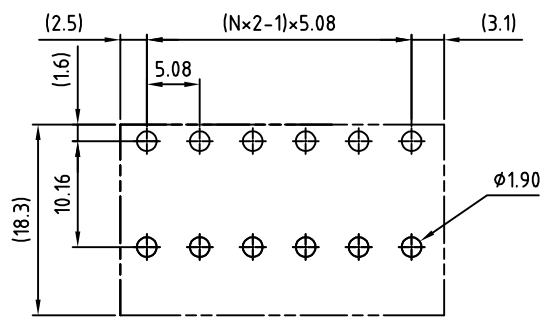
No. of Poles	COLOR
02 2 Poles	0: Black
03 3 Poles	5: Green
...	6: Blue
12 12 Poles	8: Grey (Standard)



N=Number of poles



P.C.B LAYOUT



THESE DRAWINGS AND SPECIFICATIONS ARE THE PROPERTY OF ON-SHORE TECHNOLOGY, INC. AND SHALL NOT BE REPRODUCED, COPIED OR USED IN ANY MANNER WITHOUT THE PRIOR WRITTEN CONSENT OF ON-SHORE TECHNOLOGY, INC.



TITLE		OSTVP 10.16mm Series (double contact) with steel stamping, 2p-12p					
PART NO.		OSTVPXX6585		DWG NO.		OSTVPXX6585.DWG	
APPROVED		CHECKED	DESIGNED	DRAWN	CUST NO.		Tolerance
Shi Jun 2006.10.23		Marvin 2006.10.23	Marvin 2006.10.23	Marvin 2006.10.23			X. ±0.50 X.X ±0.30 X.XX ±0.10 X° ±1°
SHEET: 01/01		REV.: F		UNIT: mm		SCALE: NONE	