

| SIGN | DATE | DESCRIPTION | APPROVER |
|------|------|-------------|----------|
| | | | |
| | | | |
| | | | |

THIS IS CAD DRAWING, DO NOT REVISE MANUALLY!!!

SPECIFICATIONS

| | |
|------------------------|--------------------------------|
| VOLTAGE & CURRENT: | 300 V, 20 A |
| WITHSTANDING VOLTAGE: | AC 2000 V/Min |
| INSULATION RESISTANCE: | 1000 MΩ OR MORE AT DC 500 V |
| TEMPERATURE RANGE: | -40 °C ±105 °C |
| SCREW TORQUE VALUE: | 12 Lb-in. |
| WIRE RANGE: | 22 - 12AWG |
| 1) MOLDED PARTS: | THERMOPLASTIC, UL 94 V-0 BLACK |
| 2) TERMINAL: | BRASS, 0.8t, Tin PLATED |
| 3) TERMINAL SCREWS: | STEEL, Ni PLATED, M3.5 |
| 4) COVER MATERIAL: | PC |

APPROVAL:  us

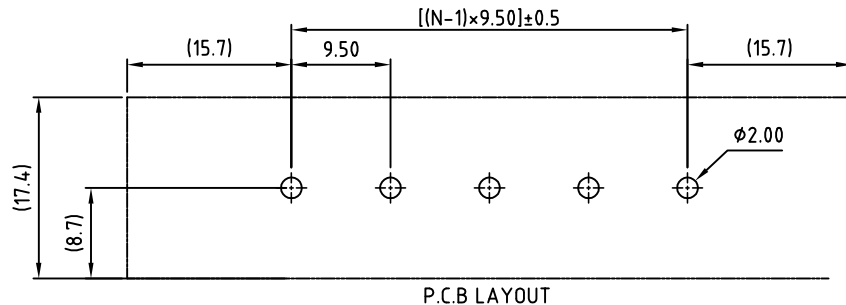
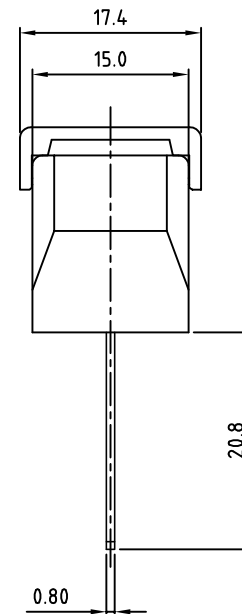
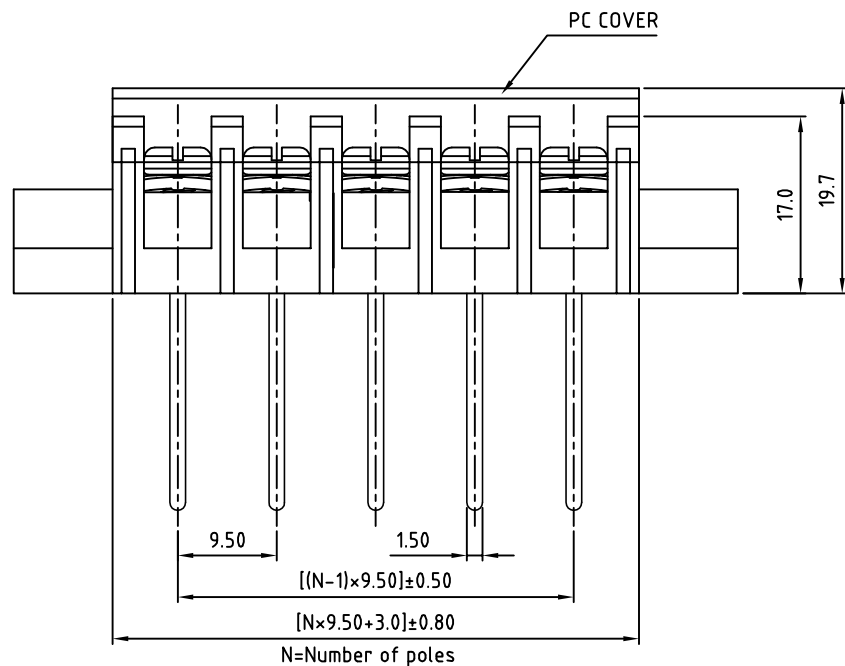
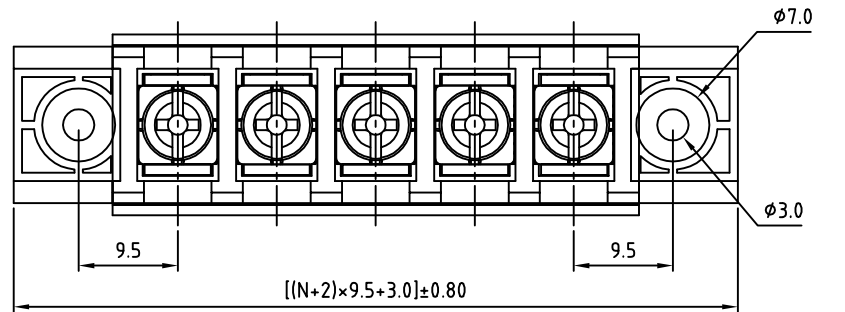
RoHS Compliant

PART NUMBER:

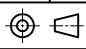
OSTYK502XX130

NO. OF POLES
 02: 2 POLES
 03: 3 POLES
 04: 4 POLES
 ⋮
 30: 30 POLES

THESE DRAWINGS AND SPECIFICATIONS ARE THE PROPERTY OF ON-SHORE TECHNOLOGY, INC. AND SHALL NOT BE REPRODUCED, COPIED OR USED IN ANY MANNER WITHOUT THE PRIOR WRITTEN CONSENT OF ON-SHORE TECHNOLOGY, INC.



OST ON-SHORE TECHNOLOGY, INC.

| | | | | | | |
|-----------------------|----------------------|---|-------------------|---|-------------------|------------|
| TITLE | | OSTYK-502 With Flange&With Cover Series | | | | |
| PART NO. | | OSTYK502XX130 | | DWG NO. | OSTYK502XX130.DWG | |
| APPROVED | CHECKED | DESIGNED | DRAWN | CUST NO. | Tolerance | |
| Shi Jun 2007.07.18 | Seamus 2007.07.18 | LUCY 2007.7.18 | LUCY 2007.7.18 |  | UNIT: mm | X. ±0.50 |
| | | | | | SCALE: NONE | X.X ±0.30 |
| | | | | | SHEET: 01/01 | X.XX ±0.10 |
| | | | | | REV.: B | X° ±1° |